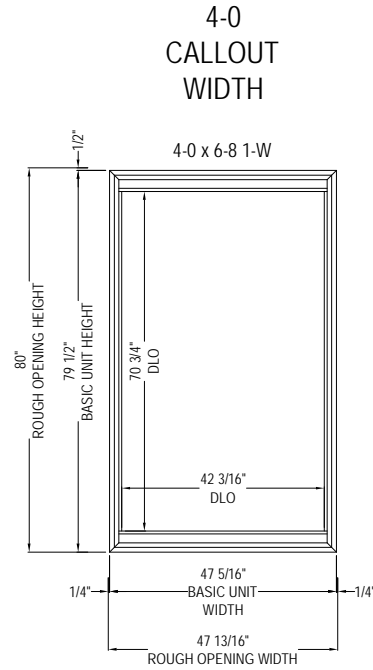
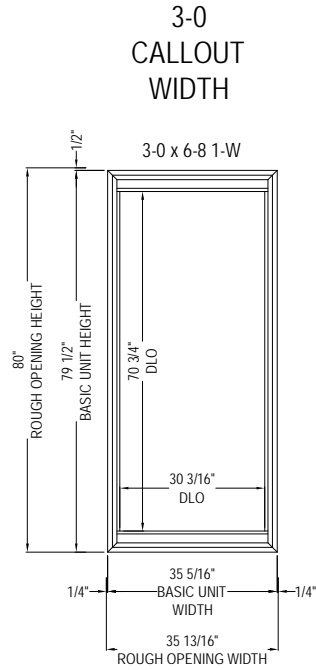
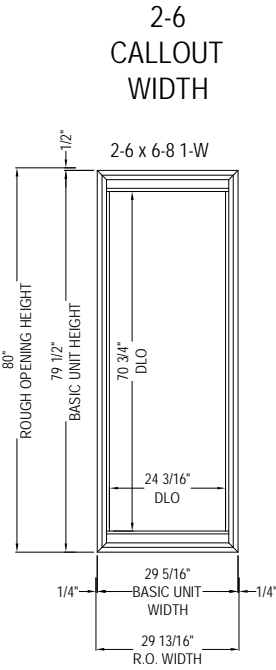
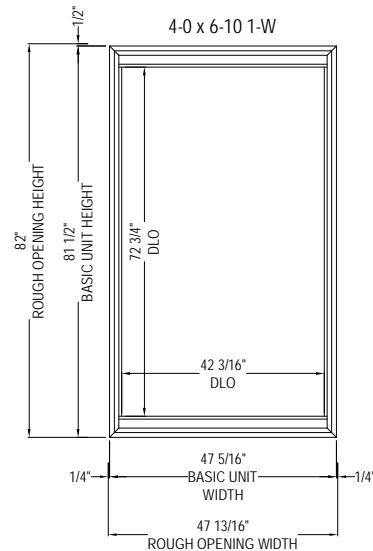
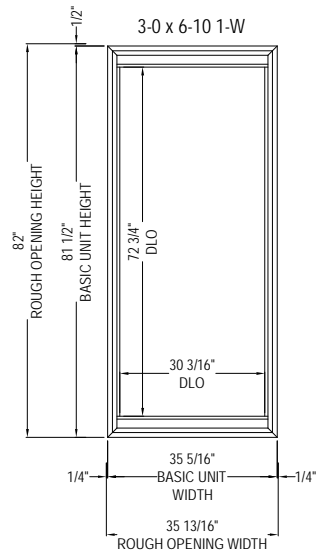
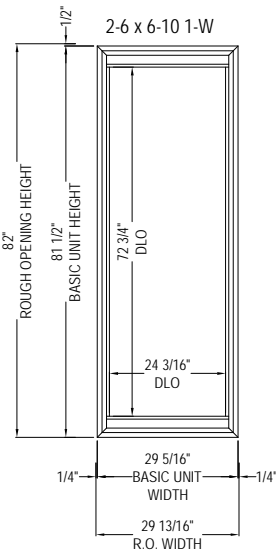


Elevations Page 1 of 5	Scale: 1/2" = 1'-0"
Date: 11/2012	Drawn By: JJB

6-8
CALLOUT
HEIGHT



6-10
CALLOUT
HEIGHT



2-Wide Sliding Patio Doors

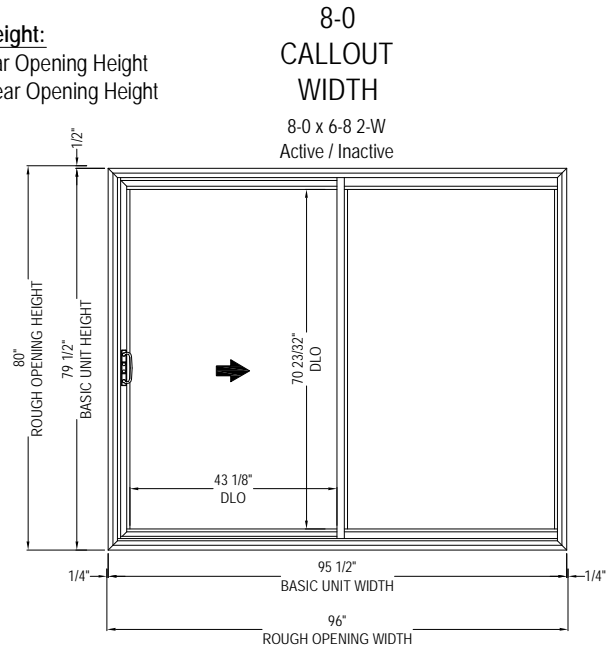
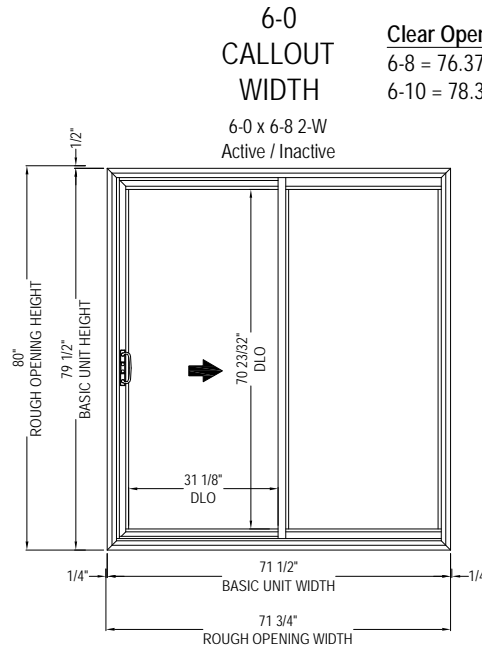
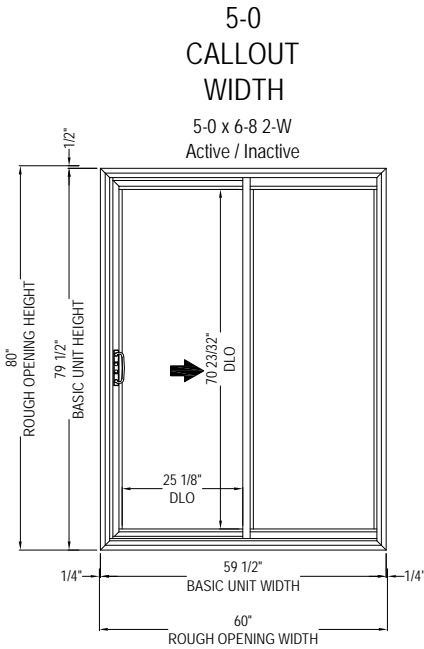
Elevations Page 2 of 5	Scale: 1/2" = 1'-0"
Date: 11/2012	Drawn By: JJB

Operation:
Active / Inactive
Inactive / Active

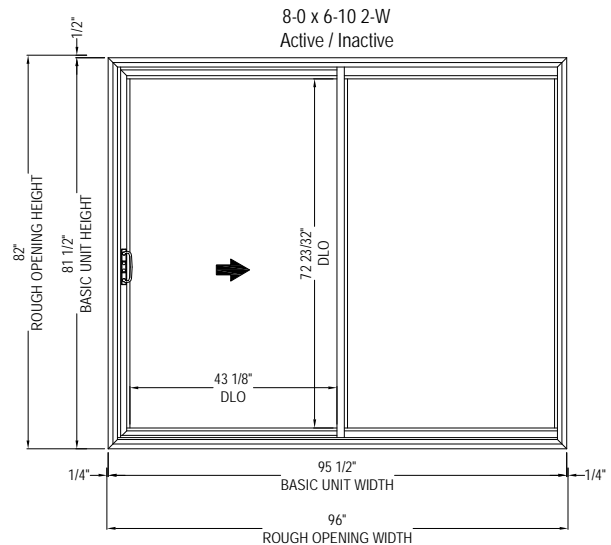
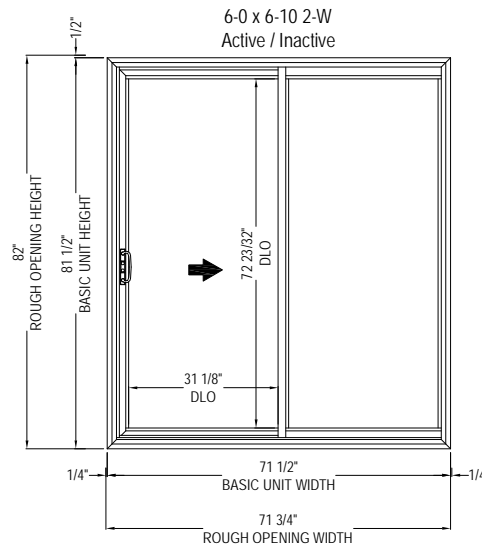
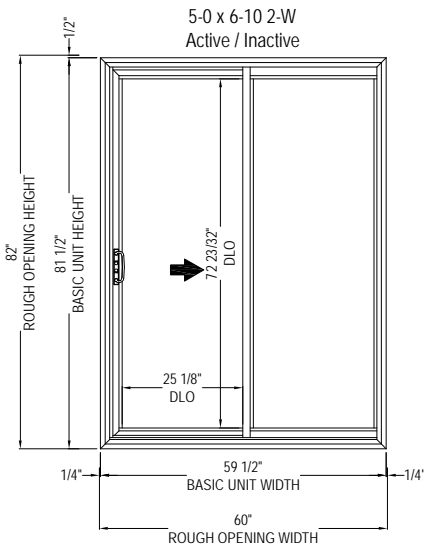
Clear Opening Width:
27" Glass Width = 24-1/4" Clear Opening Width
33" Glass Width = 30-1/4" Clear Opening Width
45" Glass Width = 42-1/4" Clear Opening Width
Formula = Clear opening width = Glass width - 2.750

Clear Opening Height:
6-8 = 76.376" Clear Opening Height
6-10 = 78.376" Clear Opening Height

6-8
CALLOUT
HEIGHT



6-10
CALLOUT
HEIGHT



3-Wide Sliding Patio Doors

Elevations Page 3 of 5	Scale: 1/2" = 1'-0"
Date: 11/2012	Drawn By: JJB

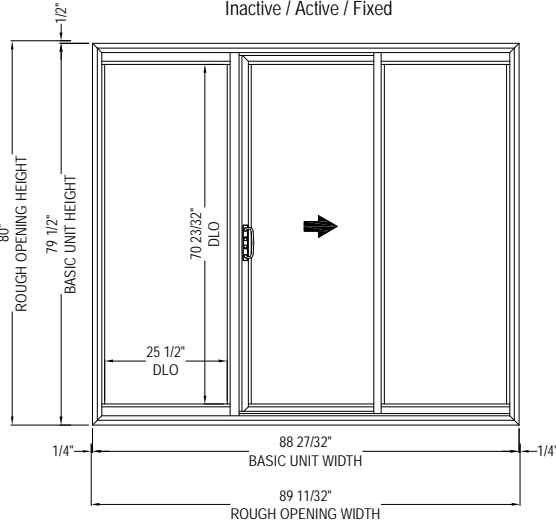
Operation:
 Active / Inactive / Fixed
 Inactive / Active / Fixed (Shown)
 Fixed / Active / Inactive
 Fixed / Inactive / Active

Clear Opening Width:
 27" Glass Width = 24-1/4" Clear Opening Width
 33" Glass Width = 30-1/4" Clear Opening Width
 45" Glass Width = 42-1/4" Clear Opening Width
 Formula = Clear opening width = Glass width - 2.750

Clear Opening Height:
 6-8 = 76.376" Clear Opening Height
 6-10 = 78.376" Clear Opening Height

7-6
**CALLOUT
 WIDTH**

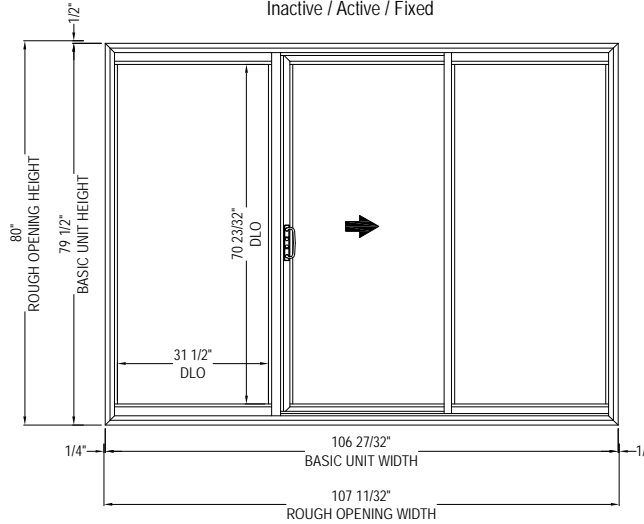
7-6 x 6-8 3-W
 Inactive / Active / Fixed



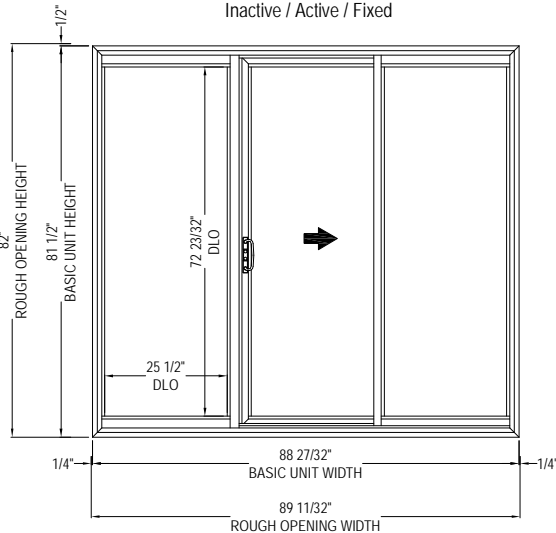
6-8
**CALLOUT
 HEIGHT**

9-0
**CALLOUT
 WIDTH**

9-0 x 6-8 3-W
 Inactive / Active / Fixed

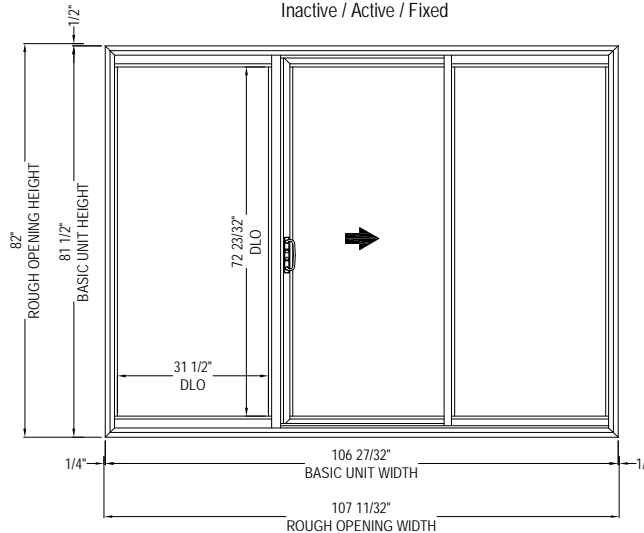


7-6 x 6-10 3-W
 Inactive / Active / Fixed



6-10
**CALLOUT
 HEIGHT**

9-0 x 6-10 3-W
 Inactive / Active / Fixed

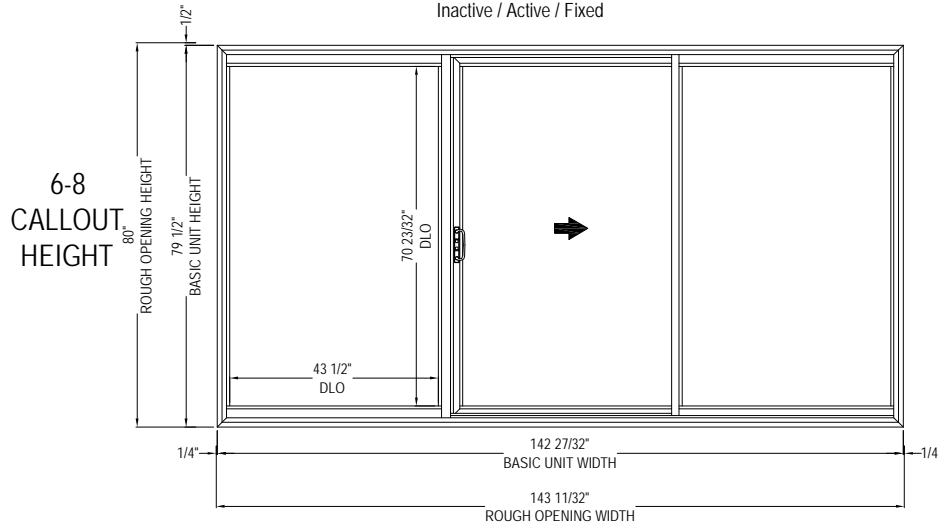


3-Wide Sliding Patio Doors

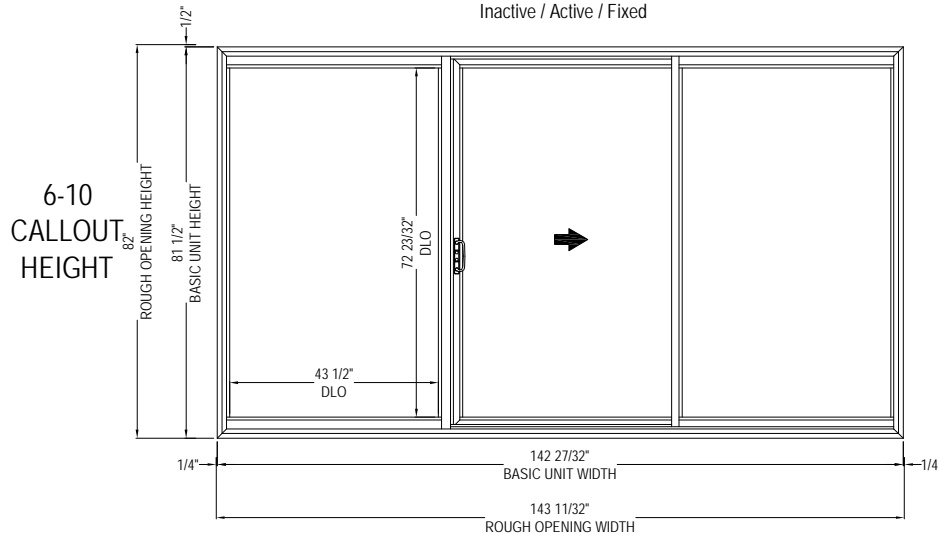
Elevations Page 4 of 5	Scale: 1/2" = 1'-0"
Date: 11/2012	Drawn By: JJB

12-0 CALLOUT WIDTH

9-0 x 6-8 3-W
Inactive / Active / Fixed



9-0 x 6-10 3-W Inactive / Active / Fixed



Clear Opening Width:

27" Glass Width = 24-1/4" Clear Opening Width

33" Glass Width = 30-1/4" Clear Opening Width

45" Glass Width = 42-1/4" Clear Opening Width

Formula = Clear opening width = Glass width - 2.750

Clear Opening Height:

6-8 = 76.376" Clear Opening Height

6-10 = 78.376" Clear Opening Height

Operation:

Active / Inactive / Fixed

Inactive / Active / Fixed (Shown)

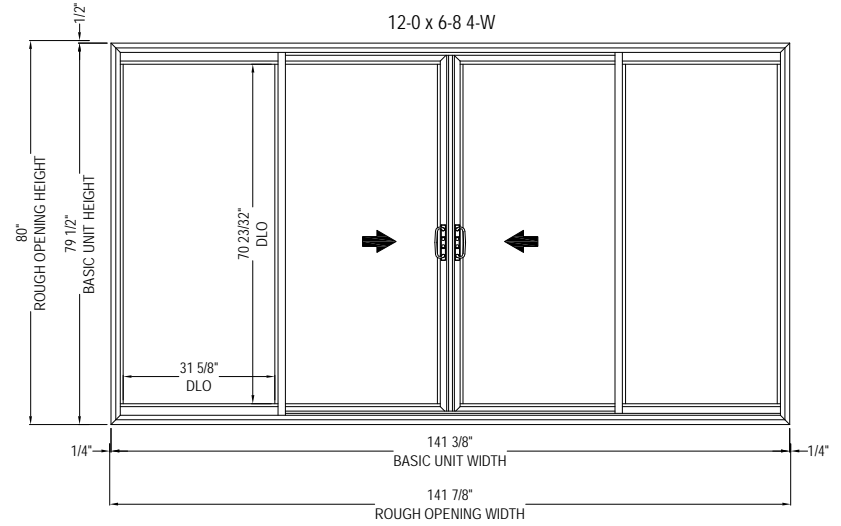
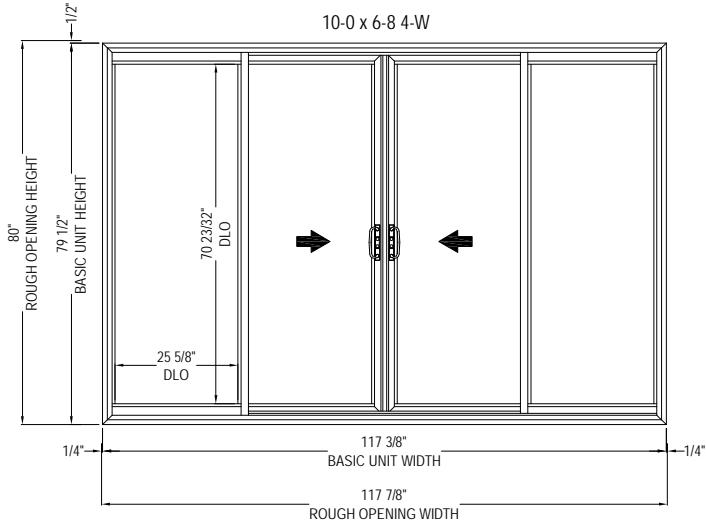
Fixed / Active / Inactive

Fixed / Inactive / Active

10-0
CALLOUT
WIDTH

12-0
CALLOUT
WIDTH

6-8
CALLOUT
HEIGHT



6-10
CALLOUT
HEIGHT

