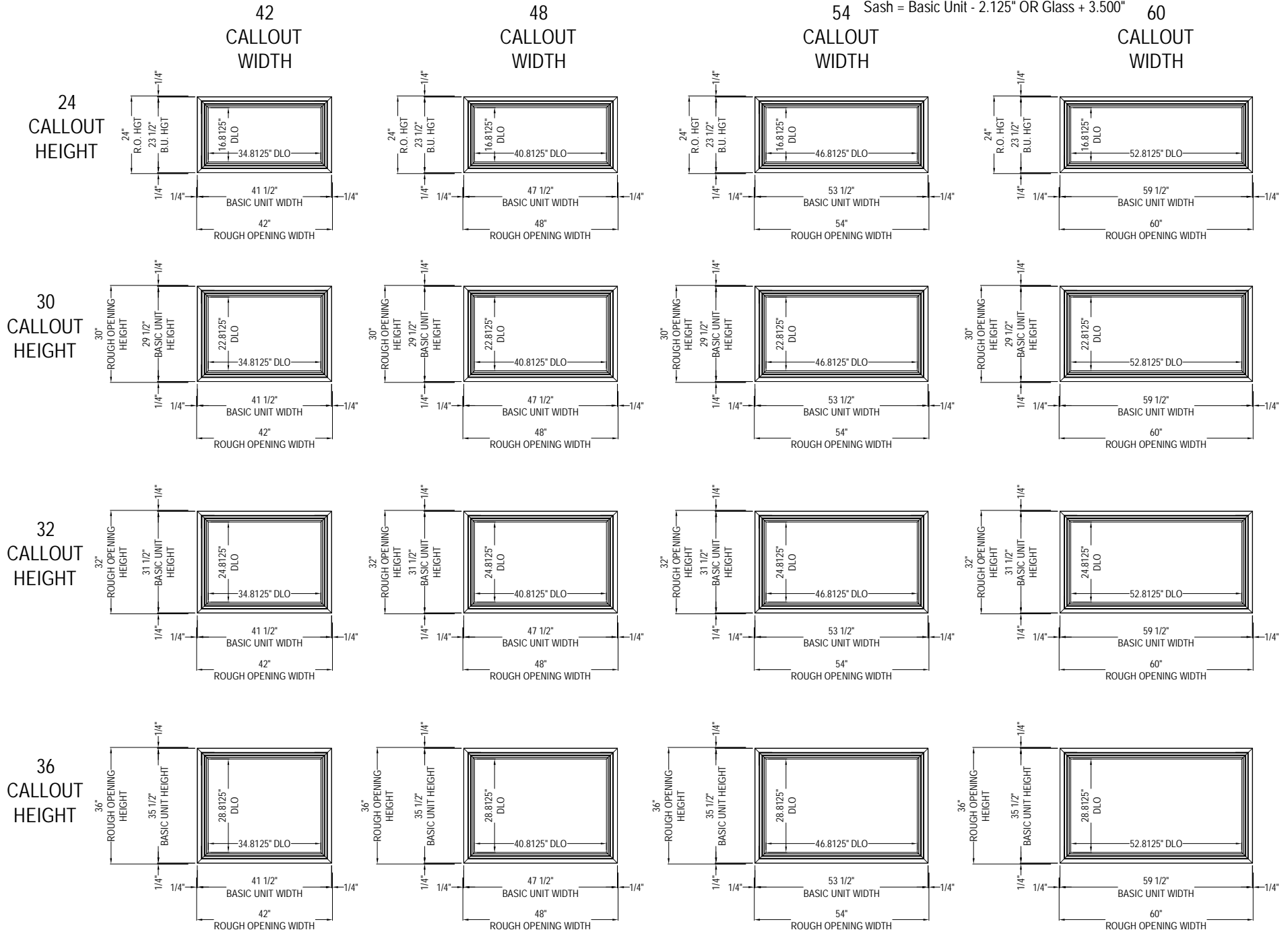


Windows & Doors

Sizing Formulas

Glass = Basic Unit - 5.625" OR Sash - 3.500"

Sash = Basic Unit - 2.125" OR Glass + 3.500"



Elevations Page 2 of 11	Scale: 1/2" = 1'-0"
Date: 09/2012	Drawn By: JJB

Windows & Doors

Sizing Formulas

Glass = Basic Unit - 5.625" OR Sash - 3.500"

Sash = Basic Unit - 2.125" OR Glass + 3.500"

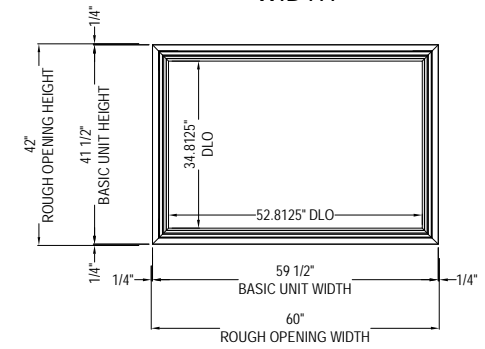
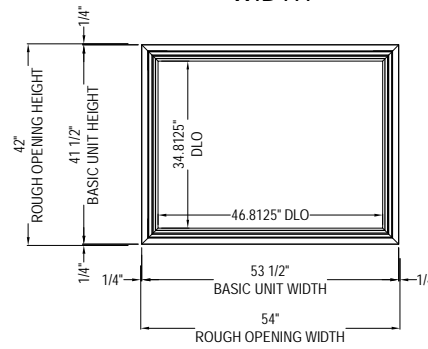
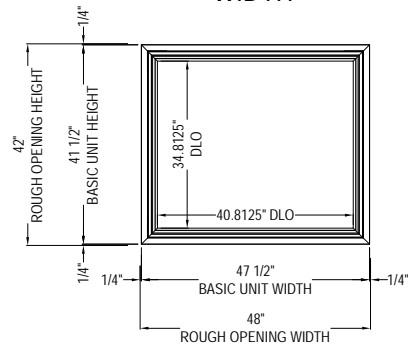
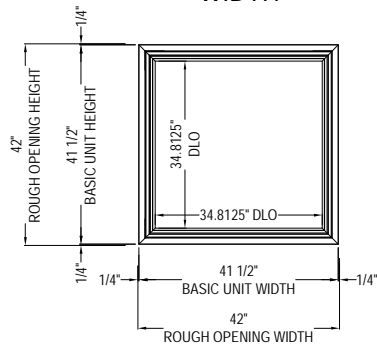
42
CALLOUT
WIDTH

48
CALLOUT
WIDTH

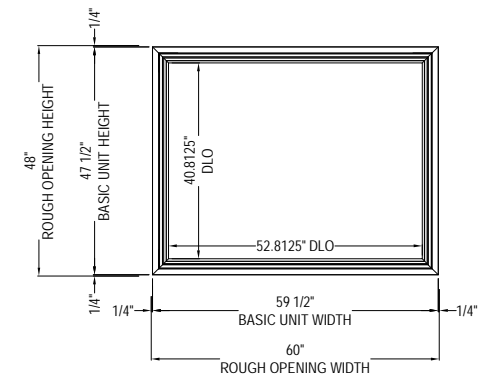
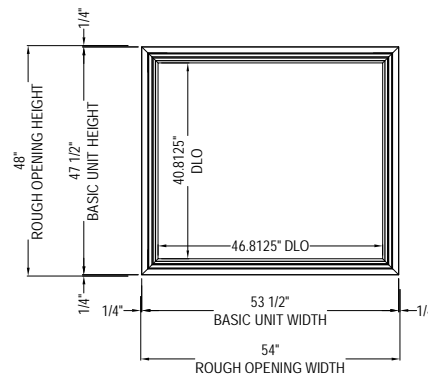
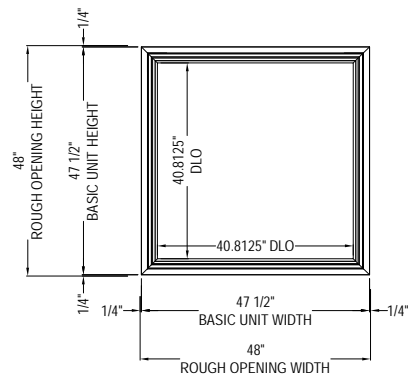
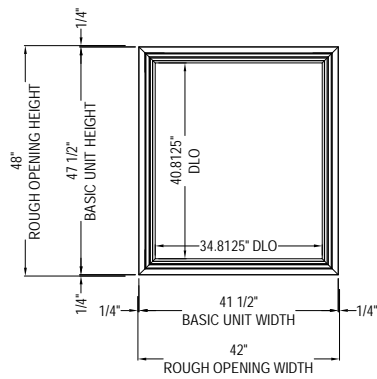
54
CALLOUT
WIDTH

60
CALLOUT
WIDTH

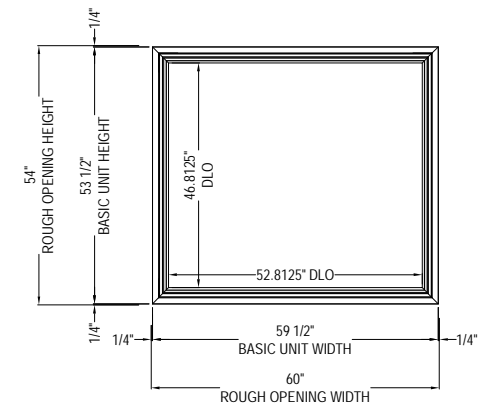
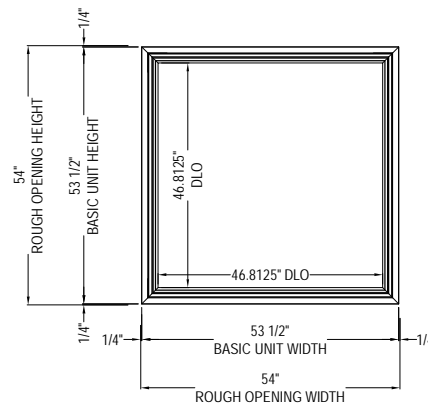
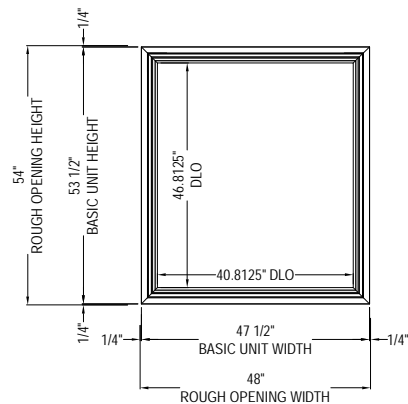
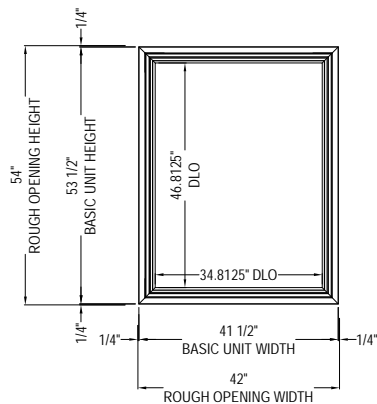
42
CALLOUT
HEIGHT



48
CALLOUT
HEIGHT



54
CALLOUT
HEIGHT



Elevations Page 3 of 11	Scale: 1/2" = 1'-0"
Date: 09/2012	Drawn By: JJB

Windows & Doors

Sizing Formulas

Glass = Basic Unit - 5.625" OR Sash - 3.500"

Sash = Basic Unit - 2.125" OR Glass + 3.500"

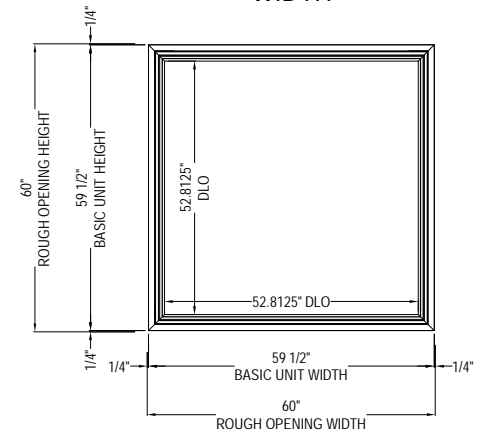
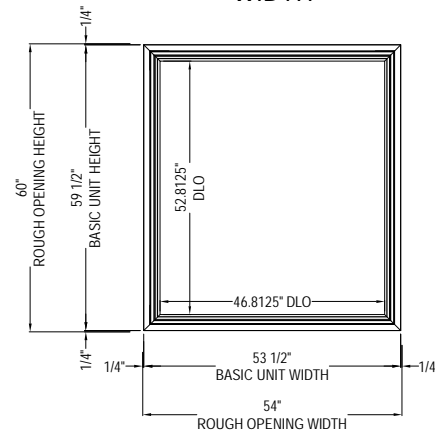
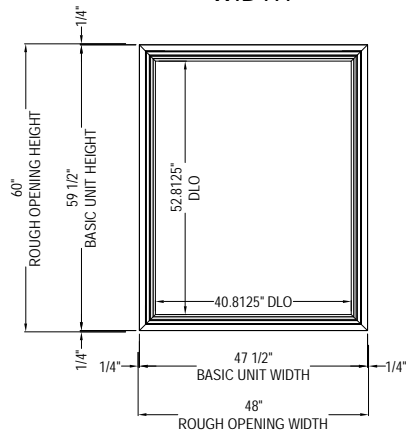
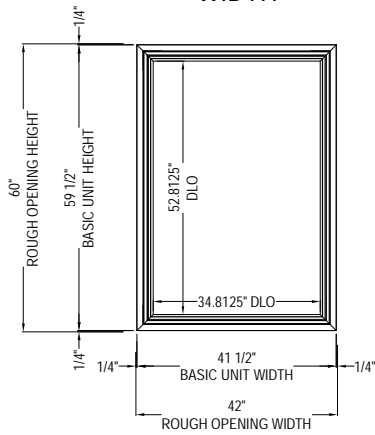
42
CALLOUT
WIDTH

48
CALLOUT
WIDTH

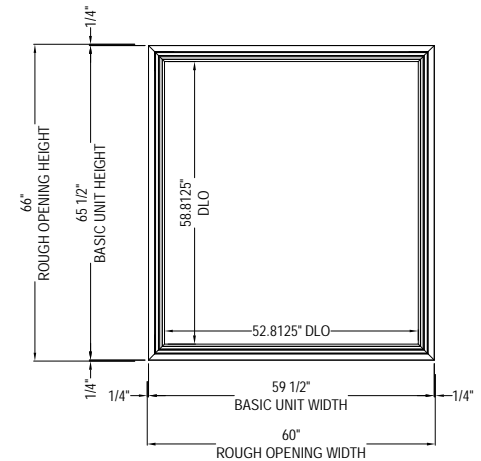
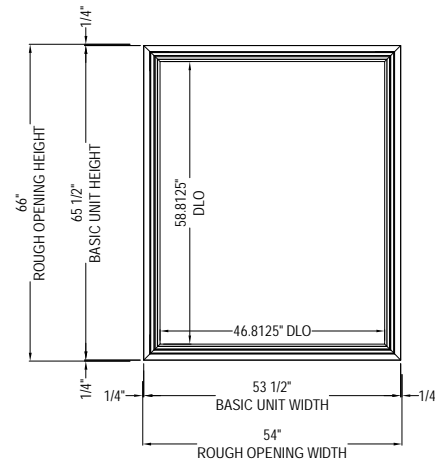
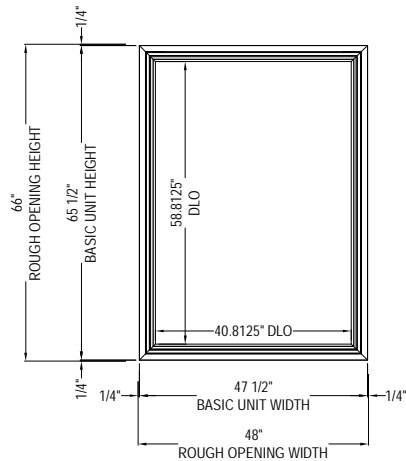
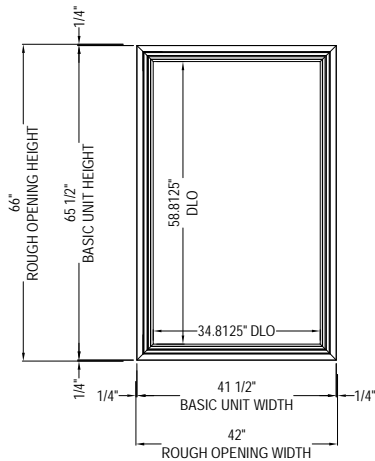
54
CALLOUT
WIDTH

60
CALLOUT
WIDTH

60
CALLOUT
HEIGHT



66
CALLOUT
HEIGHT



Elevations Page 4 of 11	Scale: 1/2" = 1'-0"
Date: 09/2012	Drawn By: JJB

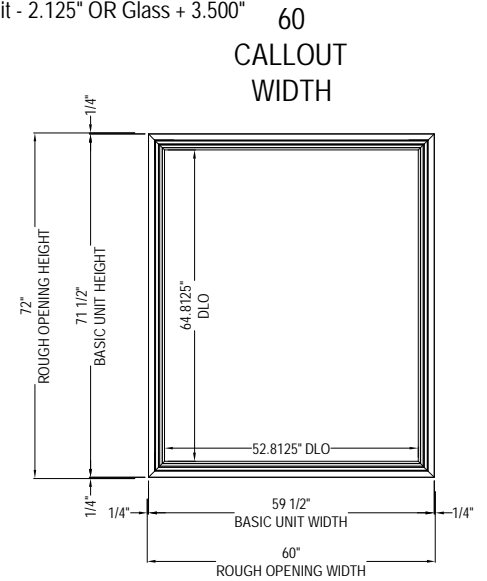
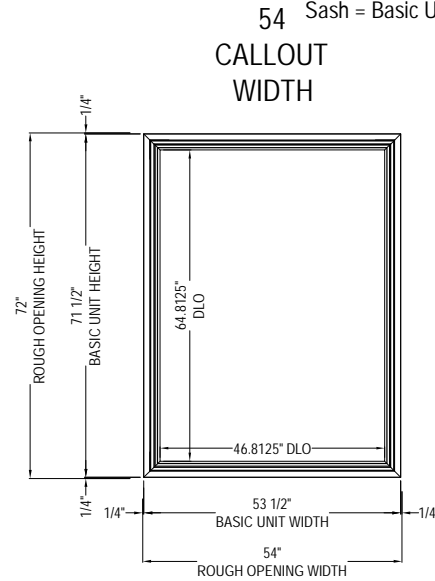
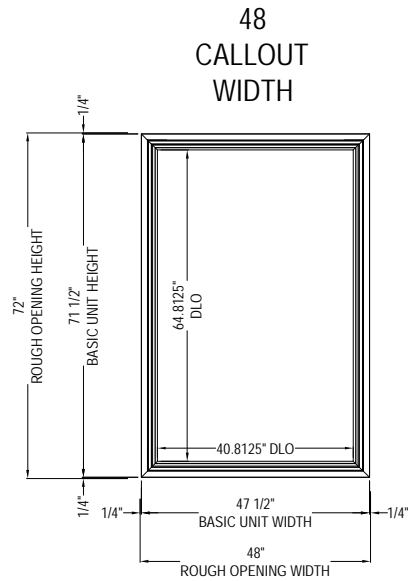
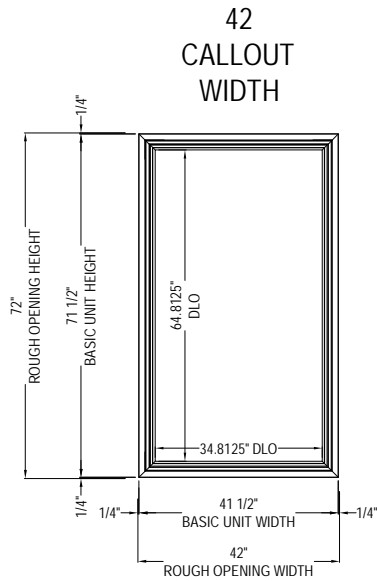
Windows & Doors

Sizing Formulas

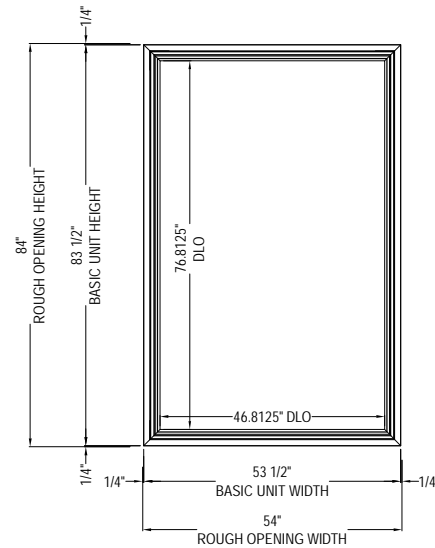
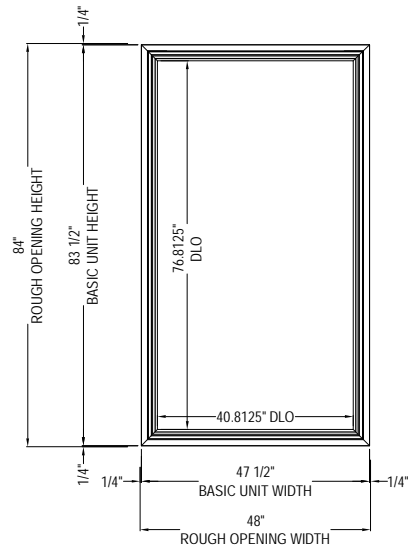
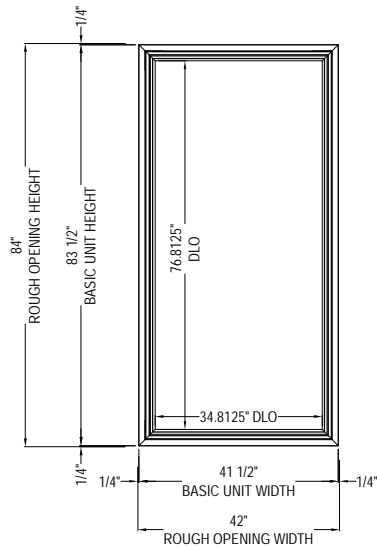
Glass = Basic Unit - 5.625" OR Sash - 3.500"

Sash = Basic Unit - 2.125" OR Glass + 3.500"

72
CALLOUT
HEIGHT



84
CALLOUT
HEIGHT



Elevations Page 5 of 11	Scale: 1/2" = 1'-0"
Date: 09/2012	Drawn By: JJB

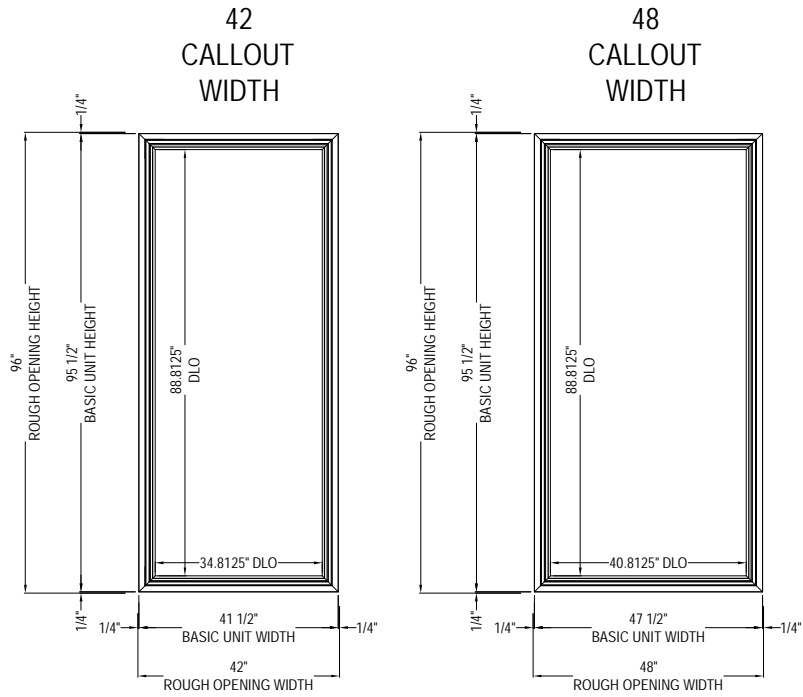
Windows & Doors

Sizing Formulas

Glass = Basic Unit - 5.625" OR Sash - 3.500"

Sash = Basic Unit - 2.125" OR Glass + 3.500"

96
CALLOUT
HEIGHT



Windows & Doors

Sizing Formulas

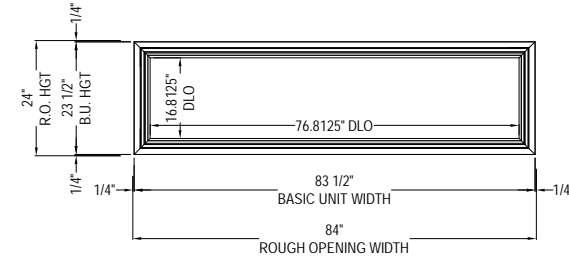
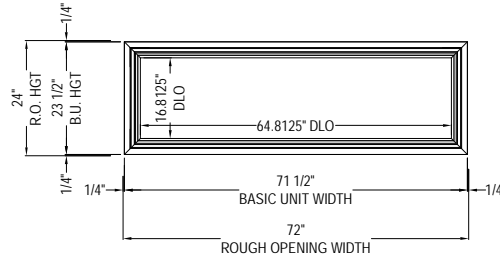
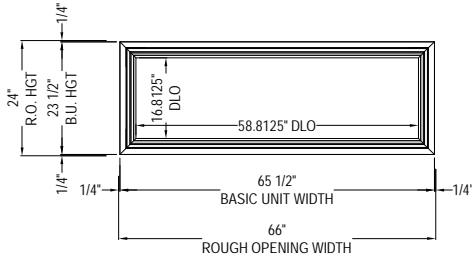
Glass = Basic Unit - 5.625" OR Sash - 3.500"
 Sash = Basic Unit - 2.125" OR Glass + 3.500"

66
CALLOUT
WIDTH

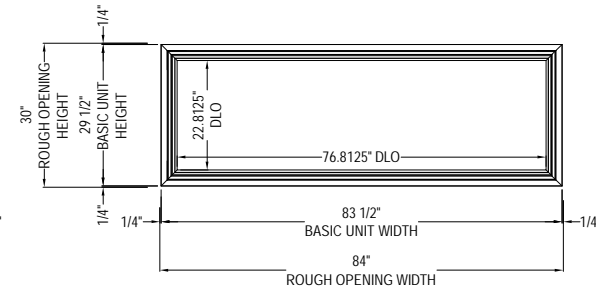
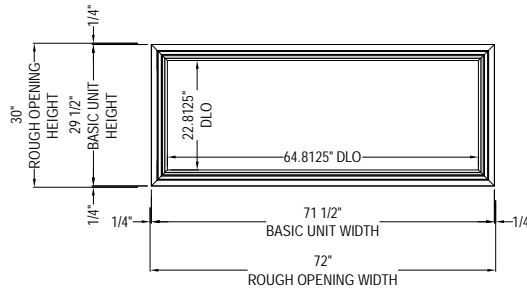
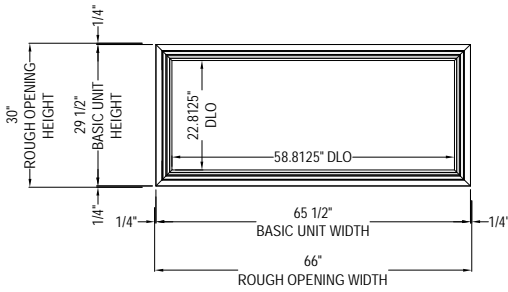
72
CALLOUT
WIDTH

84
CALLOUT
WIDTH

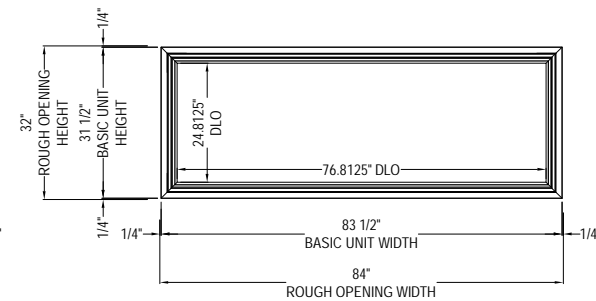
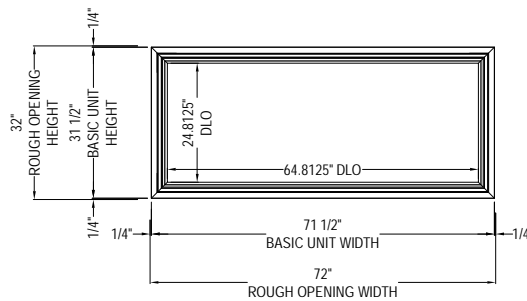
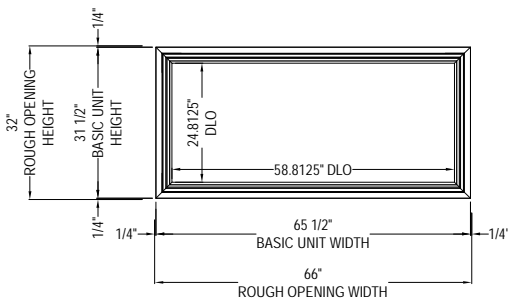
24
CALLOUT
HEIGHT



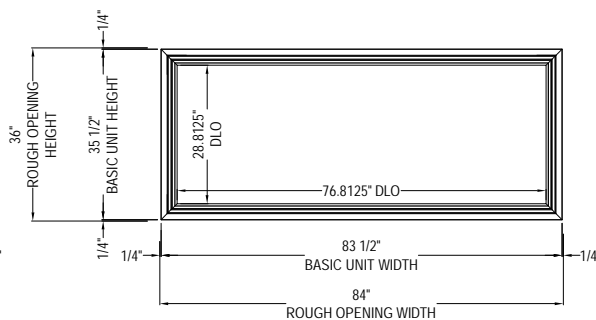
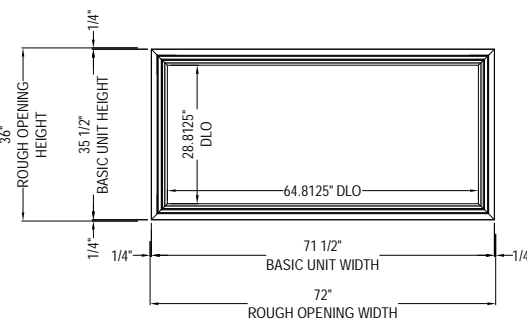
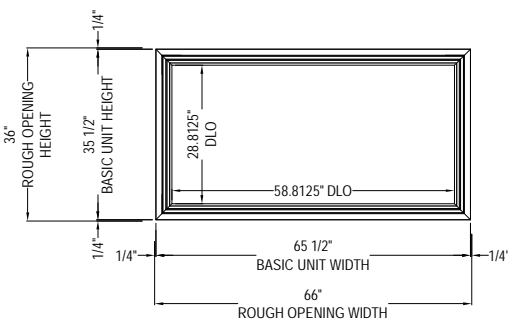
30
CALLOUT
HEIGHT



32
CALLOUT
HEIGHT



36
CALLOUT
HEIGHT



Elevations Page 7 of 11	Scale: 1/2" = 1'-0"
Date: 09/2012	Drawn By: JJB

Windows & Doors

Sizing Formulas

Glass = Basic Unit - 5.625" OR Sash - 3.500"

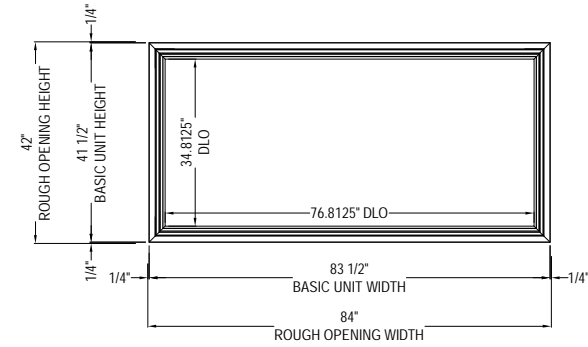
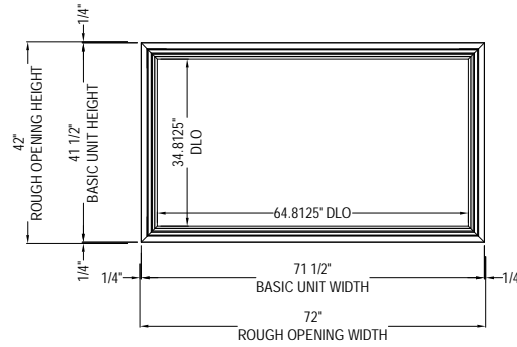
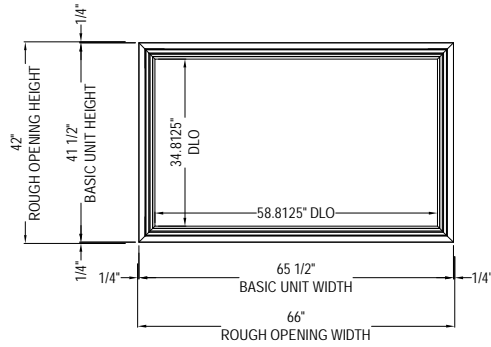
Sash = Basic Unit - 2.125" OR Glass + 3.500"

66
CALLOUT
WIDTH

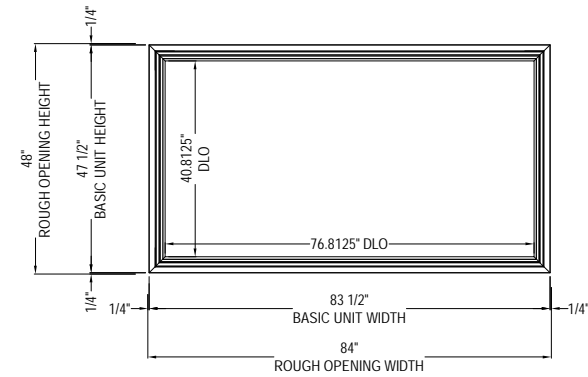
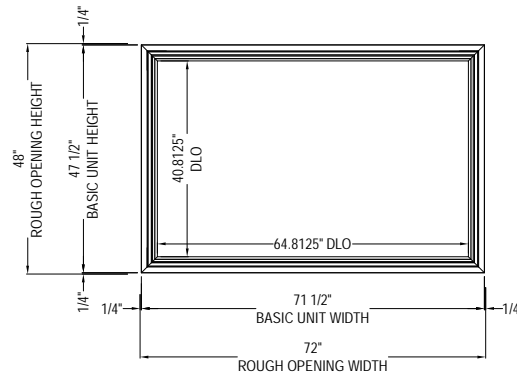
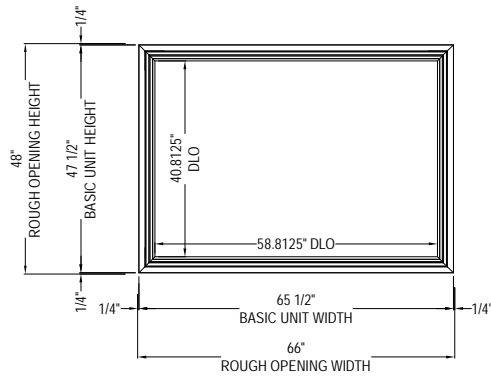
72
CALLOUT
WIDTH

84
CALLOUT
WIDTH

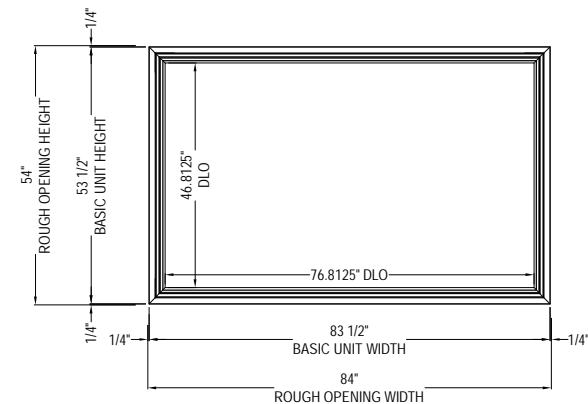
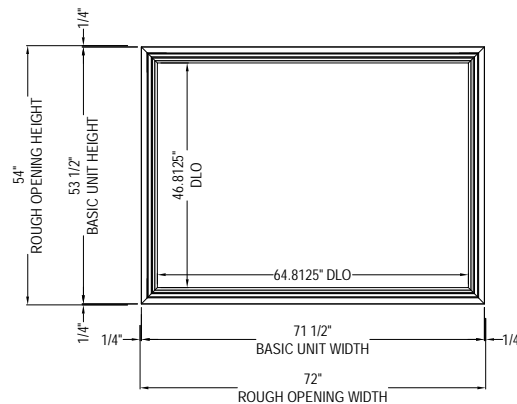
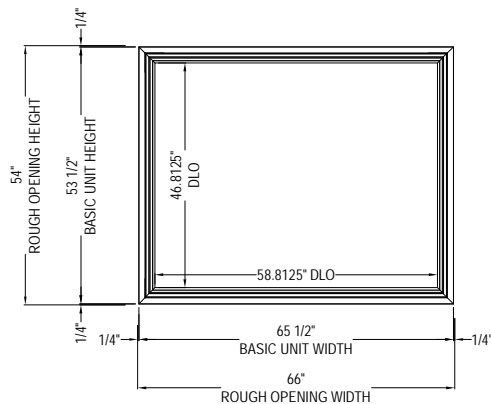
42
CALLOUT
HEIGHT



48
CALLOUT
HEIGHT



54
CALLOUT
HEIGHT



Elevations Page 8 of 11	Scale: 1/2" = 1'-0"
Date: 09/2012	Drawn By: JJB

Windows & Doors

66
CALLOUT
WIDTH

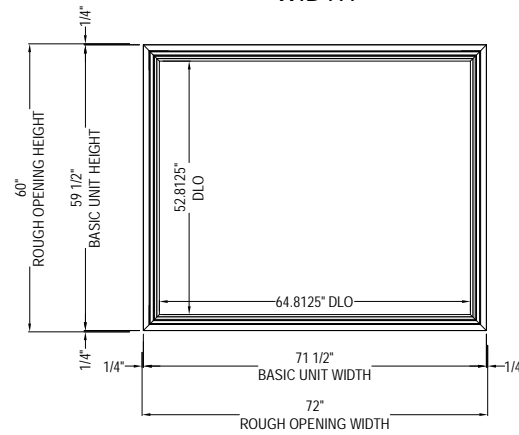
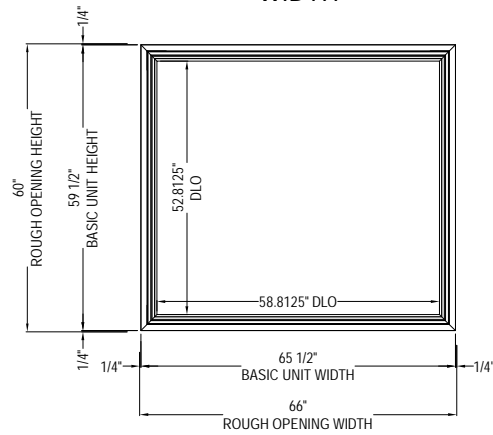
72 CALLOUT WIDTH

Sizing Formulas

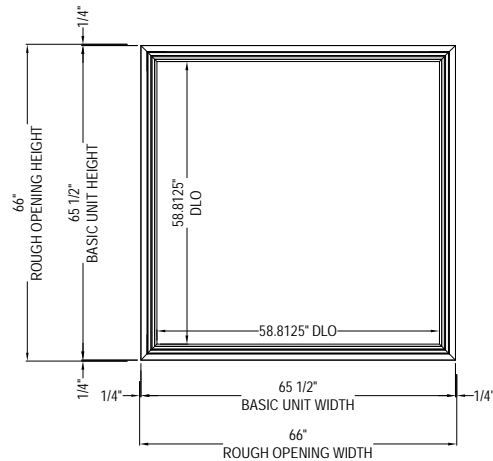
Glass = Basic Unit - 5.625" OR Sash - 3.500"

Sash = Basic Unit - 2.125" OR Glass + 3.500"

60
CALLOUT
HEIGHT



66
CALLOUT
HEIGHT



Elevations Page 9 of 11	Scale: 1/2" = 1'-0"
Date: 09/2012	Drawn By: JJB

Windows & Doors

96

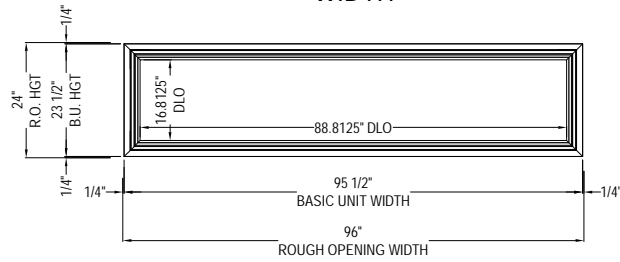
CALLOUT
WIDTH

Sizing Formulas

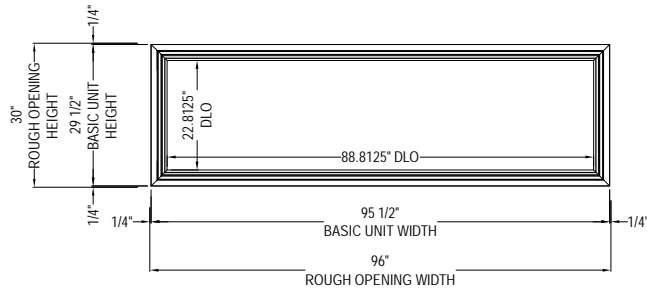
Glass = Basic Unit - 5.625" OR Sash - 3.500"

Sash = Basic Unit - 2.125" OR Glass + 3.500"

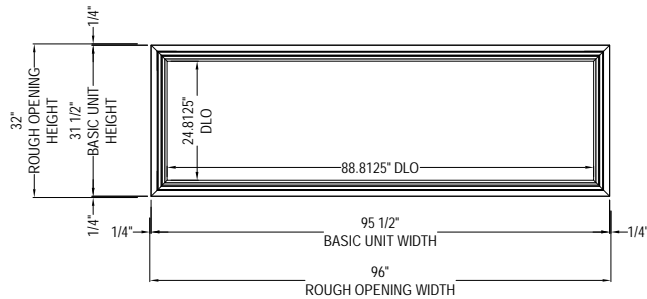
24
CALLOUT
HEIGHT



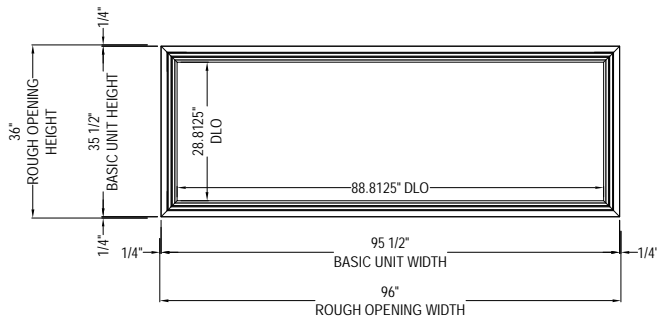
30
CALLOUT
HEIGHT



32
CALLOUT
HEIGHT



36
CALLOUT
HEIGHT



Elevations Page 10 of 11	Scale: 1/2" = 1'-0"
Date: 09/2012	Drawn By: JJB

Windows & Doors

96

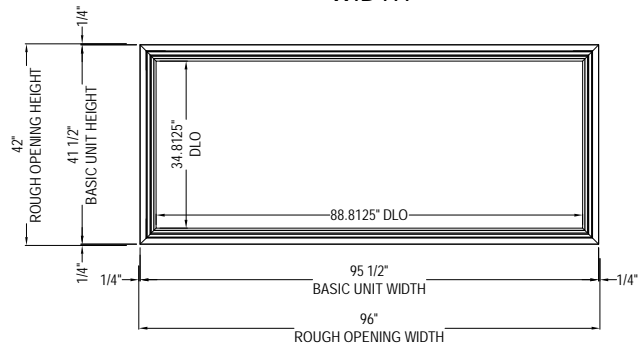
CALLOUT
WIDTH

Sizing Formulas

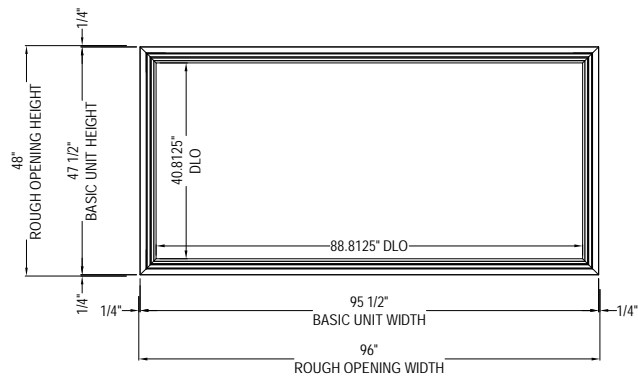
Glass = Basic Unit - 5.625" OR Sash - 3.500"

Sash = Basic Unit - 2.125" OR Glass + 3.500"

42
CALLOUT
HEIGHT



48
CALLOUT
HEIGHT



Caseмент Picture Windows, Multi-Wide Unit Sizing & Glass Sizes

2 WIDE CHART Page 11 of 11	Scale: 1/2" = 1'-0"
Date: 09/2012	Drawn By: JJB

2 - WIDE Width Chart

CALLOUT & ROUGH OPENING	OVERALL BASIC UNIT WIDTH
42 - 2W	82.375"
48 - 2W	94.375"
54 - 2W	106.375"
60 - 2W	118.375"
66 - 2W	130.375"
72 - 2W	142.375"
84 - 2W	166.375"
96 - 2W	19.375"

3 - WIDE Width Chart

CALLOUT & ROUGH OPENING	OVERALL BASIC UNIT WIDTH
42 - 3W	123.25"
48 - 3W	141.25"
54 - 3W	159.25"
60 - 3W	177.25"
66 - 3W	195.25"
72 - 3W	213.25"
84 - 3W	249.25"
96 - 3W	285.25"

4 - WIDE Width Chart

CALLOUT & ROUGH OPENING	OVERALL BASIC UNIT WIDTH
42 - 4W	164.125"
48 - 4W	188.125"
54 - 4W	212.125"
60 - 4W	236.125"
66 - 4W	260.125"
72 - 4W	284.125"
84 - 4W	332.125"
96 - 4W	380.125"

Not all sizes can be factory mulled

Glass Widths

CALLOUT	Sizes
42	35.8125"
48	41.8125"
54	47.8125"
60	53.8125"
66	59.8125"
72	65.8125"
84	77.8125"
96	89.8125"

Glass Heights

CALLOUT	Sizes
24	17.8125"
30	23.8125"
32	25.8125"
36	29.8125"
42	35.8125"
48	41.8125"
54	47.8125"
60	53.8125"
66	59.8125"
72	65.8125"
84	77.8125"
96	89.8125"