

# SUPERSEAL® Premium Picture/Transom Windows

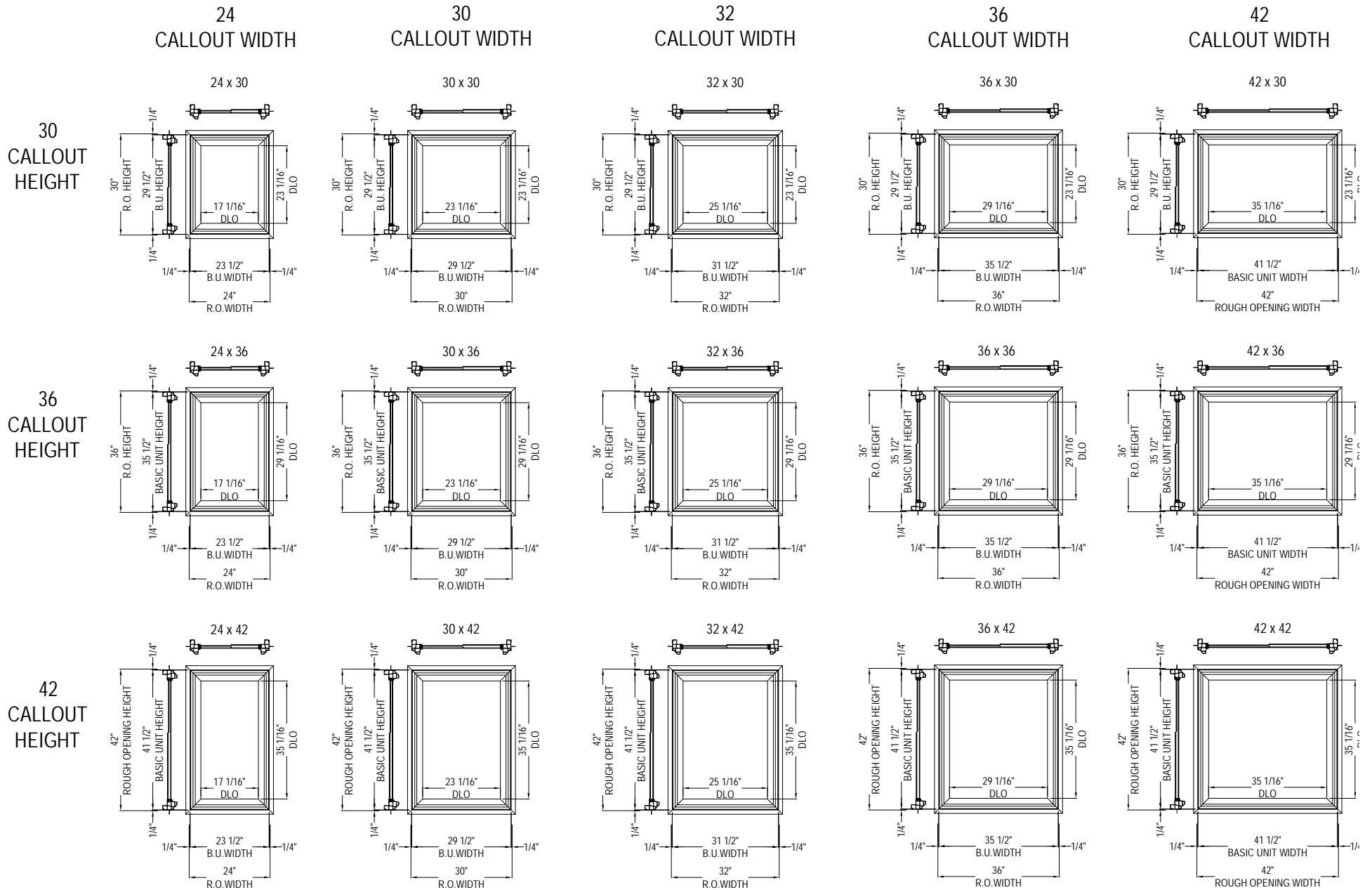
## Windows & Doors

<b>Elevations</b> Page 1 of 12	<b>Scale:</b> 1/2" = 1'-0"
<b>Date:</b> 10/2012	<b>Drawn By:</b> JJB

### Sizing Formulas, Widths & Heights

Basic Unit Width or Height = Glass + 4.25"

Glass Width or Height = Basic Unit - 4.25"



# SUPERSEAL® Premium Picture/Transom Windows

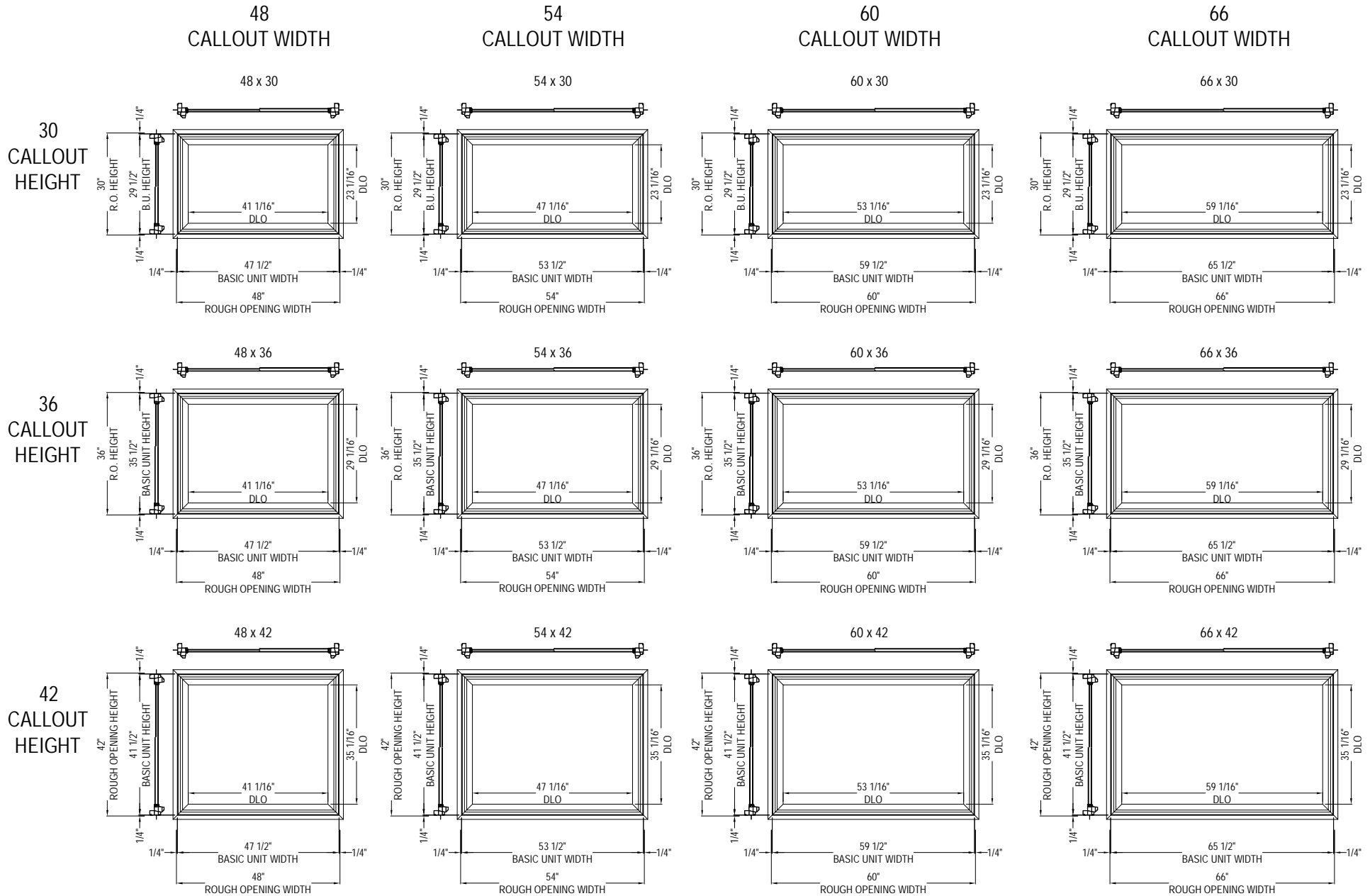
## Windows & Doors

<b>Elevations</b> Page 2 of 12	<b>Scale:</b> 1/2" = 1'-0"
<b>Date:</b> 10/2012	<b>Drawn By:</b> JJB

### Sizing Formulas, Widths & Heights

Basic Unit Width or Height = Glass + 4.25"

Glass Width or Height = Basic Unit - 4.25"



# SUPERSEAL® Premium Picture/Transom Windows

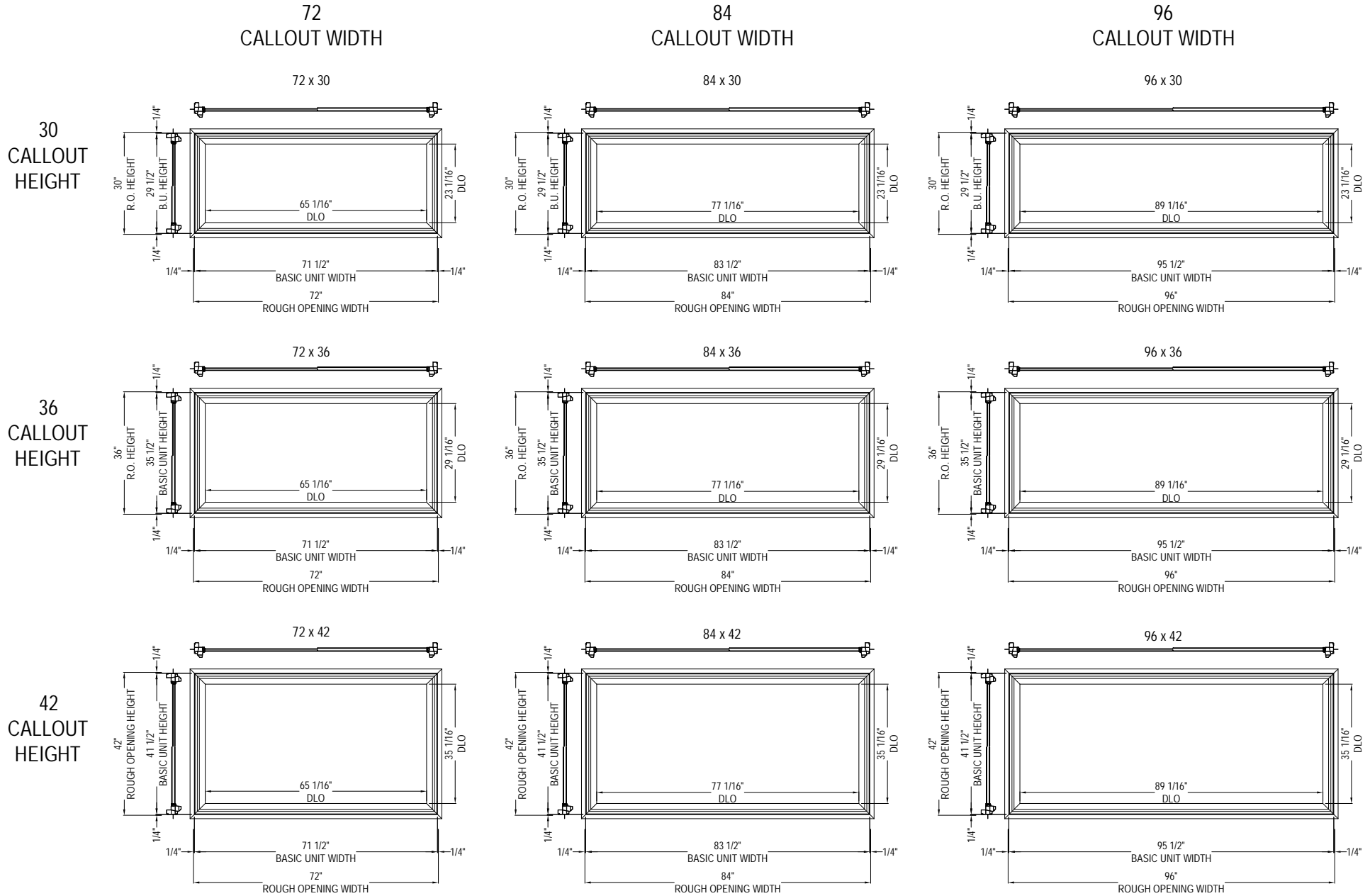
## Windows & Doors

<b>Elevations</b> Page 3 of 12	<b>Scale:</b> 1/2" = 1'-0"
<b>Date:</b> 10/2012	<b>Drawn By:</b> JJB

### Sizing Formulas, Widths & Heights

Basic Unit Width or Height = Glass + 4.25"

Glass Width or Height = Basic Unit - 4.25"

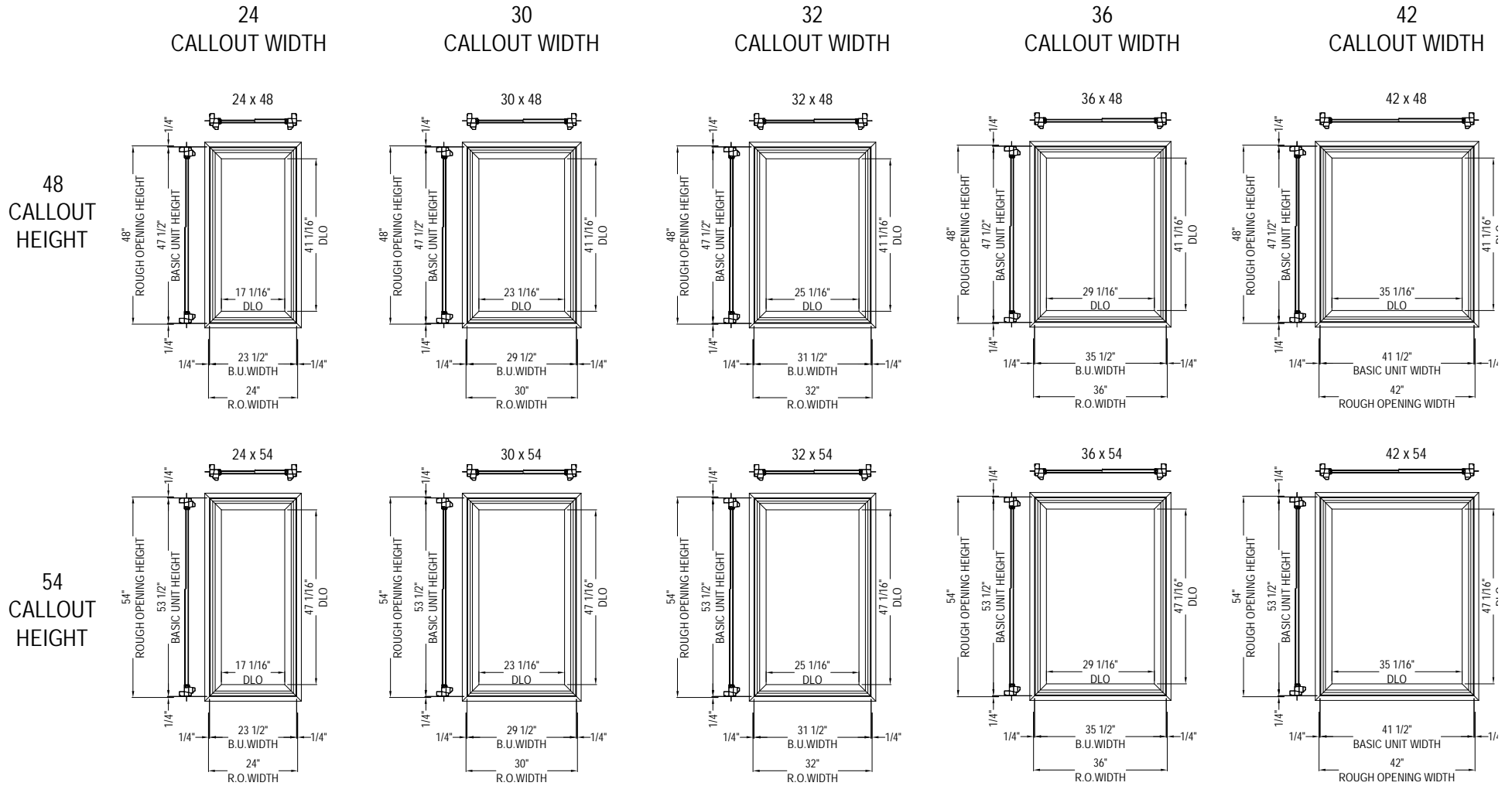


# SUPERSEAL® Premium Picture/Transom Windows

## Windows & Doors

<b>Elevations</b> Page 4 of 12	<b>Scale:</b> 1/2" = 1'-0"
<b>Date:</b> 10/2012	<b>Drawn By:</b> JJB

**Sizing Formulas, Widths & Heights**  
 Basic Unit Width or Height = Glass + 4.25"  
 Glass Width or Height = Basic Unit - 4.25"



# SUPERSEAL® Premium Picture/Transom Windows

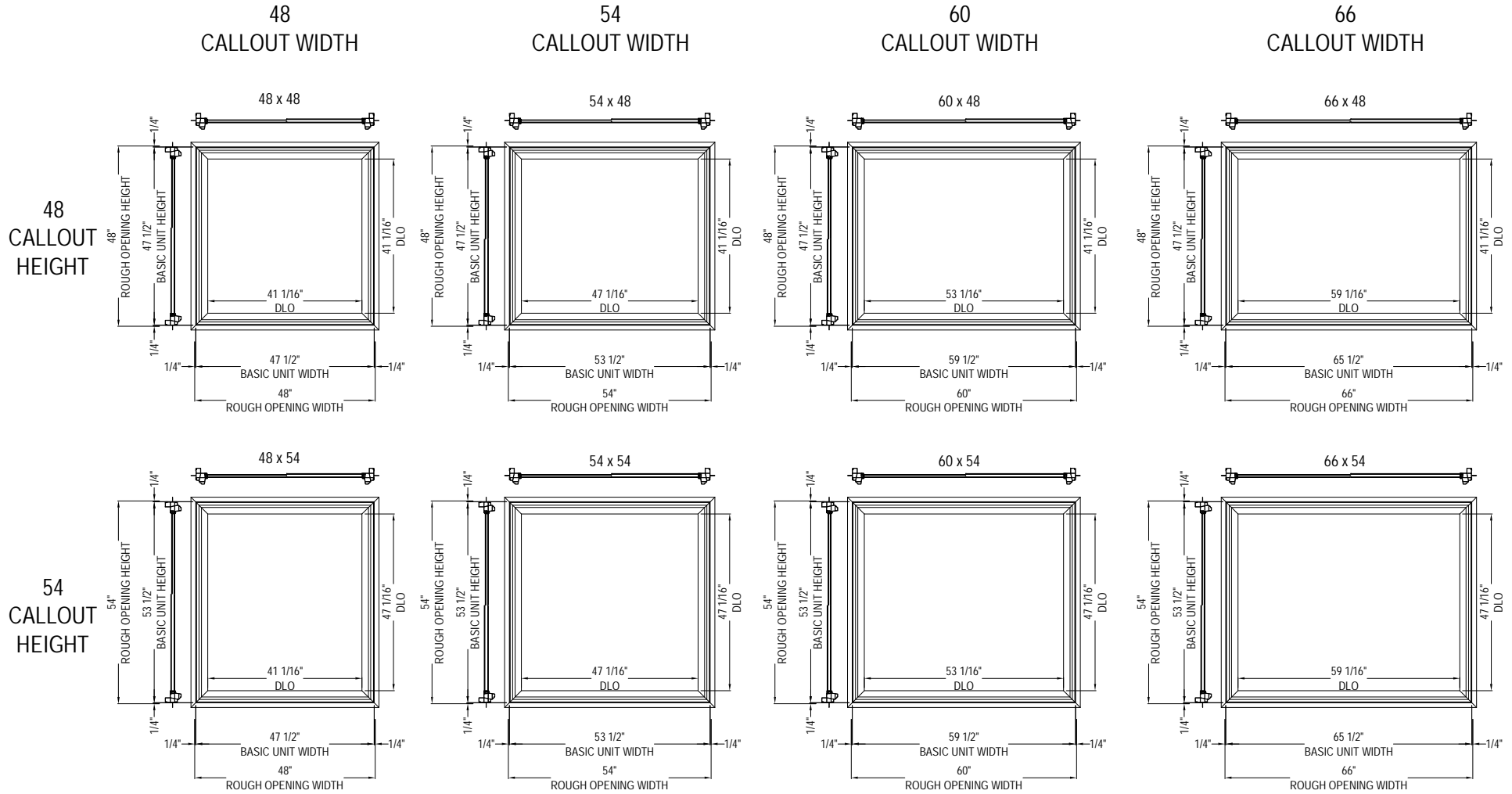
## Windows & Doors

<b>Elevations</b> Page 5 of 12	<b>Scale:</b> 1/2" = 1'-0"
<b>Date:</b> 10/2012	<b>Drawn By:</b> JJB

### Sizing Formulas, Widths & Heights

Basic Unit Width or Height = Glass + 4.25"

Glass Width or Height = Basic Unit - 4.25"



# SUPERSEAL® Premium Picture/Transom Windows

## Windows & Doors

<b>Elevations</b> Page 6 of 12	<b>Scale:</b> 1/2" = 1'-0"
<b>Date:</b> 10/2012	<b>Drawn By:</b> JJB

### Sizing Formulas, Widths & Heights

Basic Unit Width or Height = Glass + 4.25"

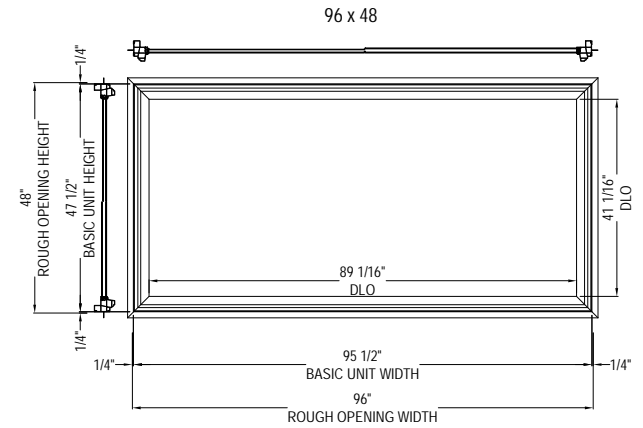
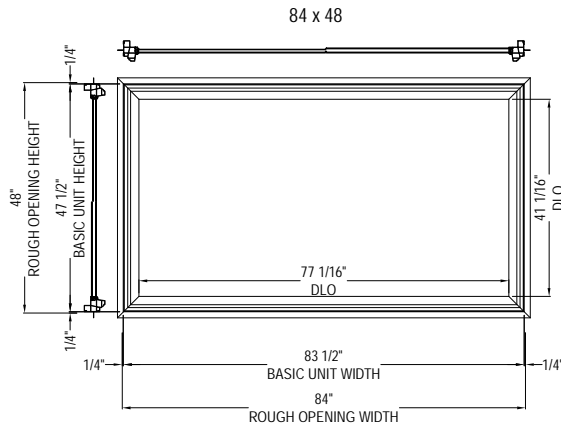
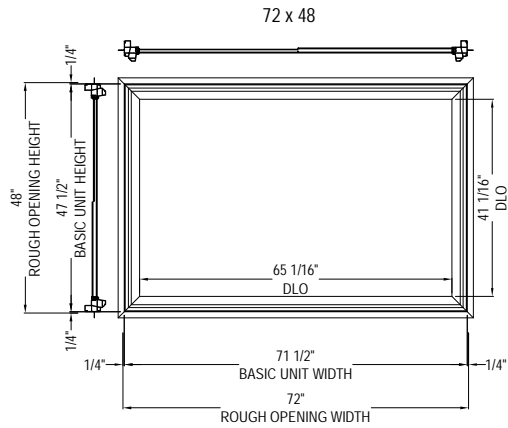
Glass Width or Height = Basic Unit - 4.25"

72  
CALLOUT WIDTH

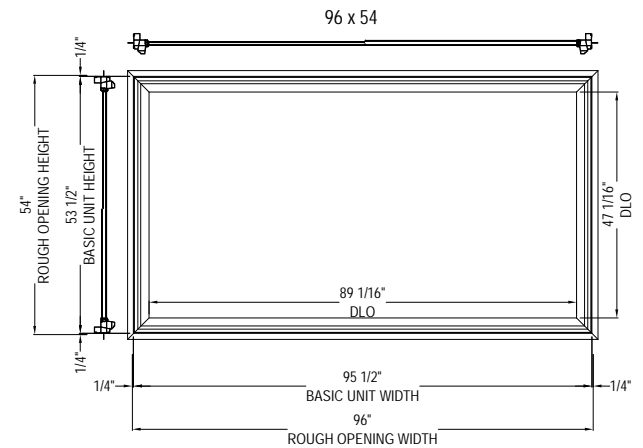
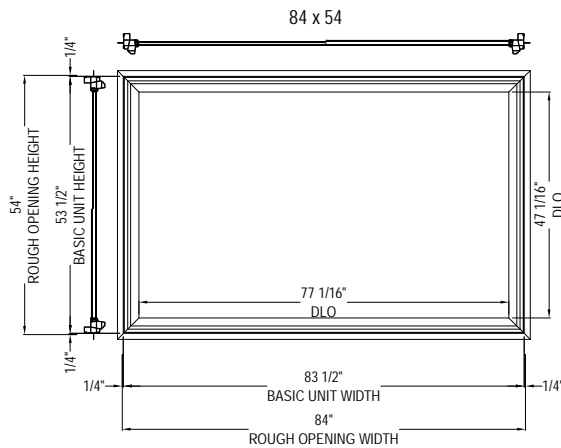
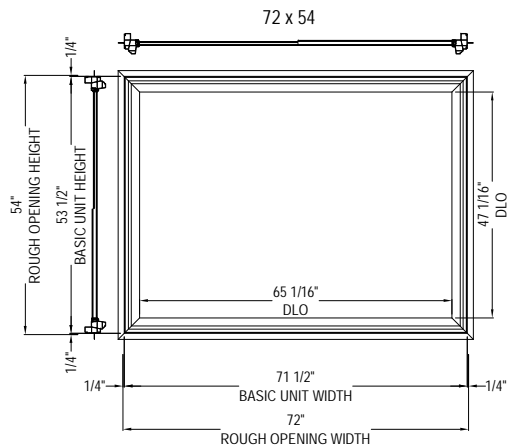
84  
CALLOUT WIDTH

96  
CALLOUT WIDTH

48  
CALLOUT  
HEIGHT



54  
CALLOUT  
HEIGHT



# SUPERSEAL® Premium Picture/Transom Windows

## Windows & Doors

<b>Elevations</b> Page 7 of 12	<b>Scale:</b> 1/2" = 1'-0"
<b>Date:</b> 10/2012	<b>Drawn By:</b> JJB

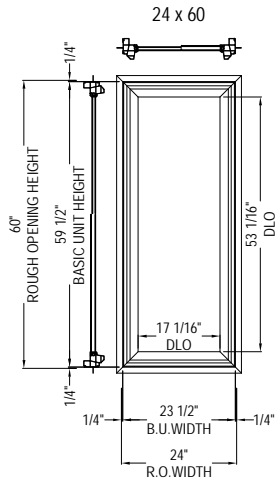
### Sizing Formulas, Widths & Heights

Basic Unit Width or Height = Glass + 4.25"

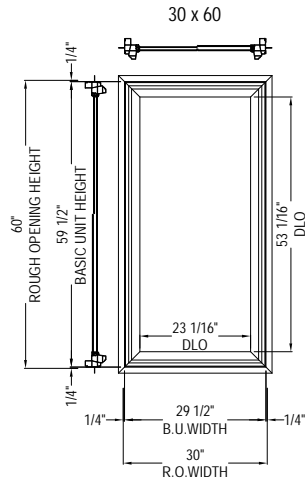
Glass Width or Height = Basic Unit - 4.25"

60  
CALLOUT  
HEIGHT

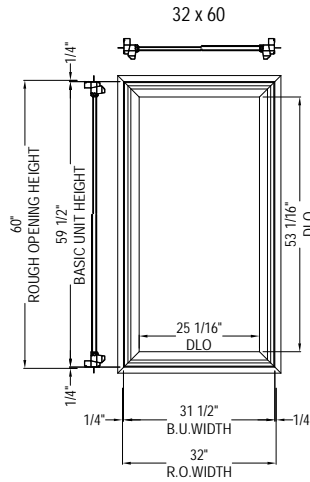
24  
CALLOUT WIDTH



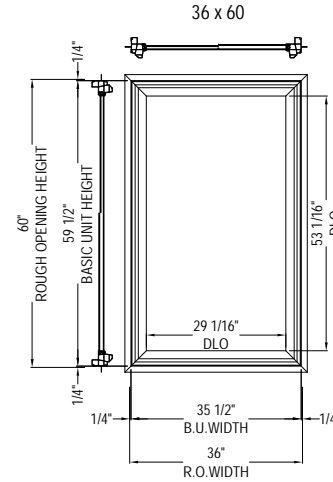
30  
CALLOUT WIDTH



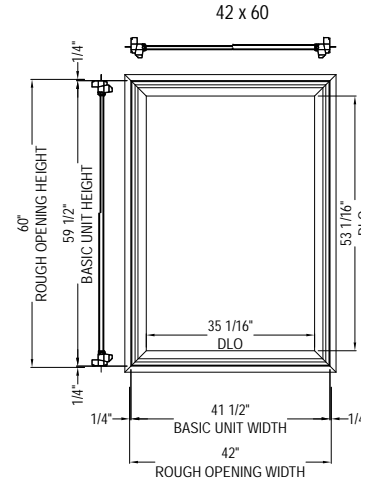
32  
CALLOUT WIDTH



36  
CALLOUT WIDTH

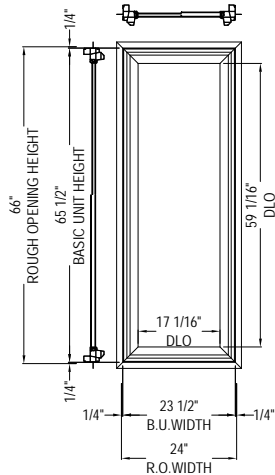


42  
CALLOUT WIDTH

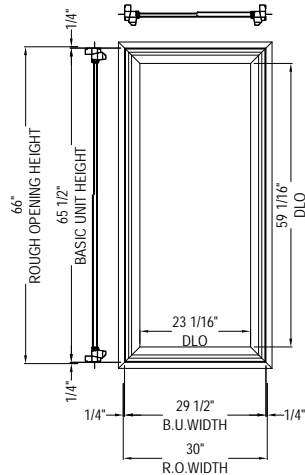


66  
CALLOUT  
HEIGHT

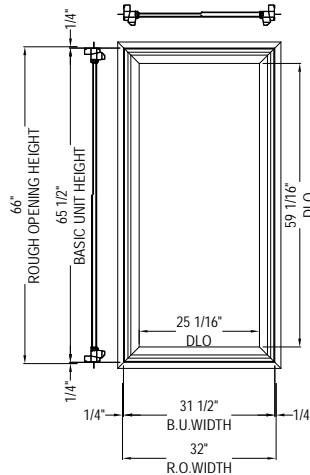
24 x 66



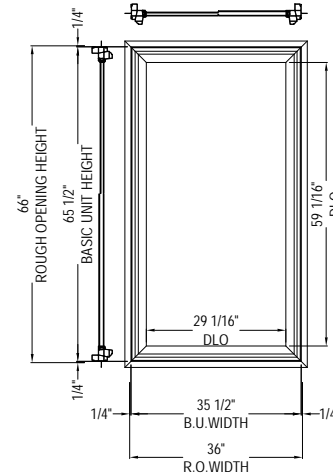
30 x 66



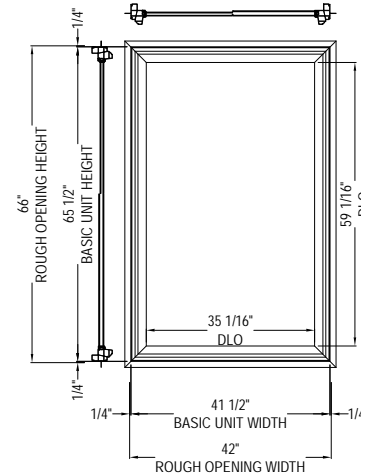
32 x 66



36 x 66



42 x 66



# SUPERSEAL® Premium Picture/Transom Windows

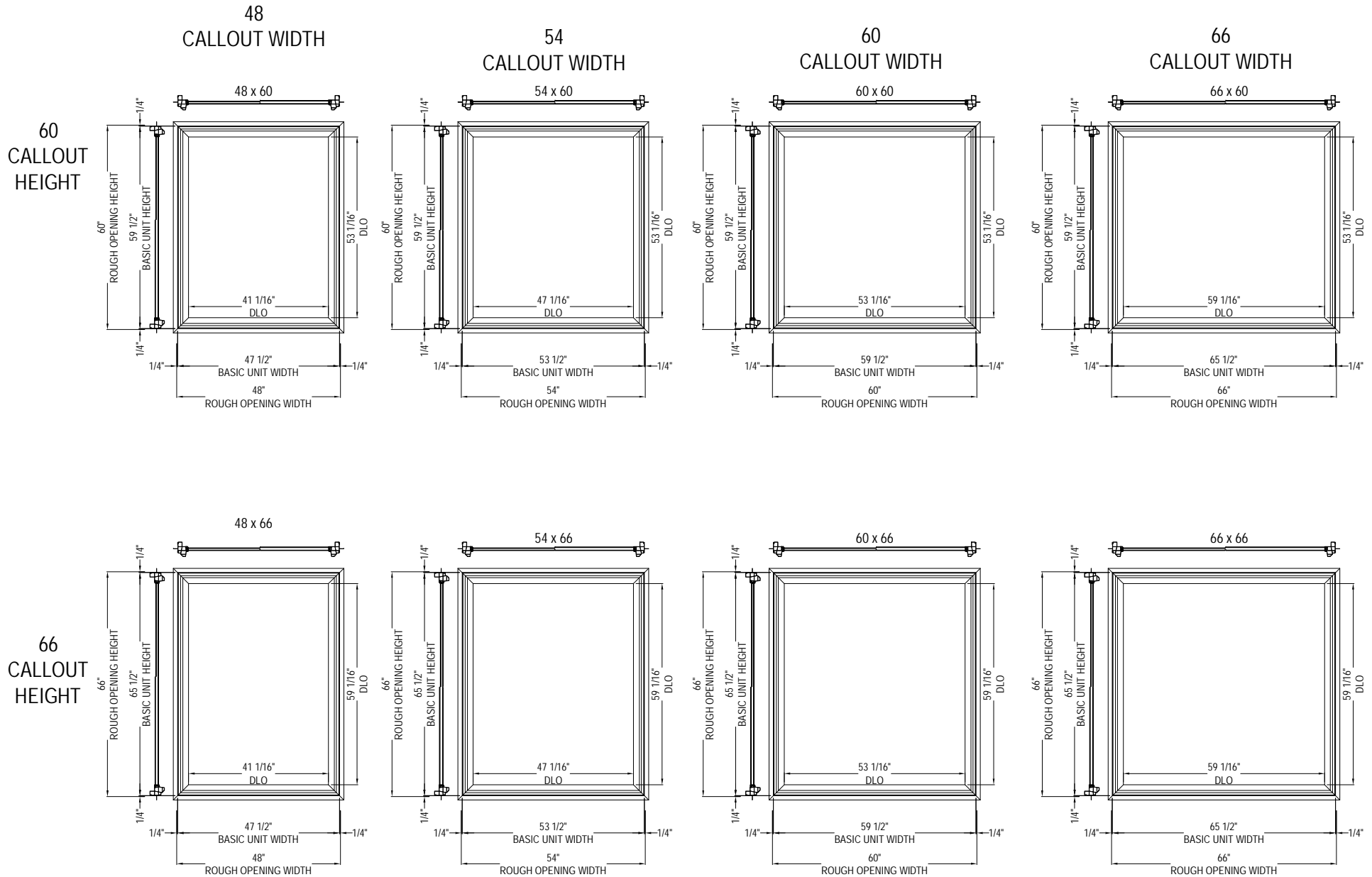
## Windows & Doors

<b>Elevations</b> Page 8 of 12	<b>Scale:</b> 1/2" = 1'-0"
<b>Date:</b> 10/2012	<b>Drawn By:</b> JJB

### Sizing Formulas, Widths & Heights

Basic Unit Width or Height = Glass + 4.25"

Glass Width or Height = Basic Unit - 4.25"





# SUPERSEAL® Premium Picture/Transom Windows

## Windows & Doors

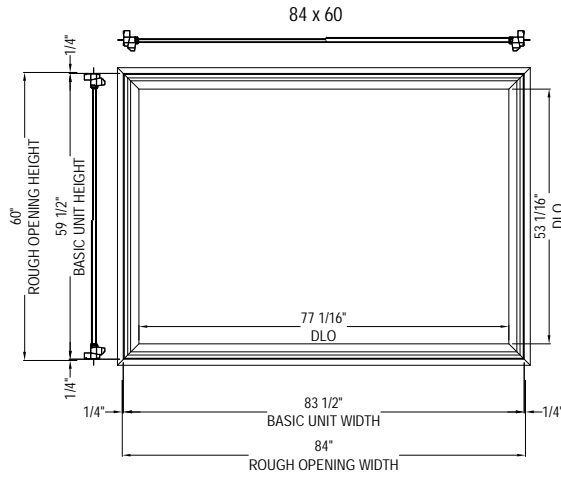
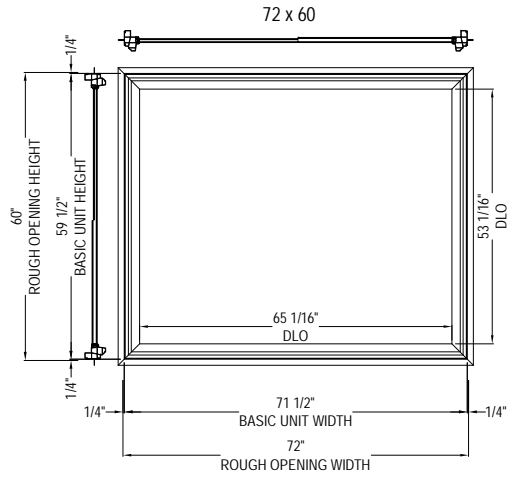
<b>Elevations</b> Page 9 of 12	<b>Scale:</b> 1/2" = 1'-0"
<b>Date:</b> 10/2012	<b>Drawn By:</b> JJB

**Sizing Formulas, Widths & Heights**  
 Basic Unit Width or Height = Glass + 4.25"  
 Glass Width or Height = Basic Unit - 4.25"

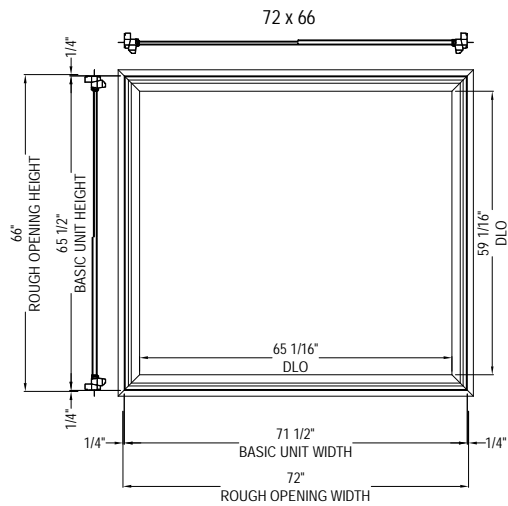
72  
CALLOUT WIDTH

84  
CALLOUT WIDTH

60  
CALLOUT HEIGHT



66  
CALLOUT HEIGHT



# SUPERSEAL® Premium Picture/Transom Windows

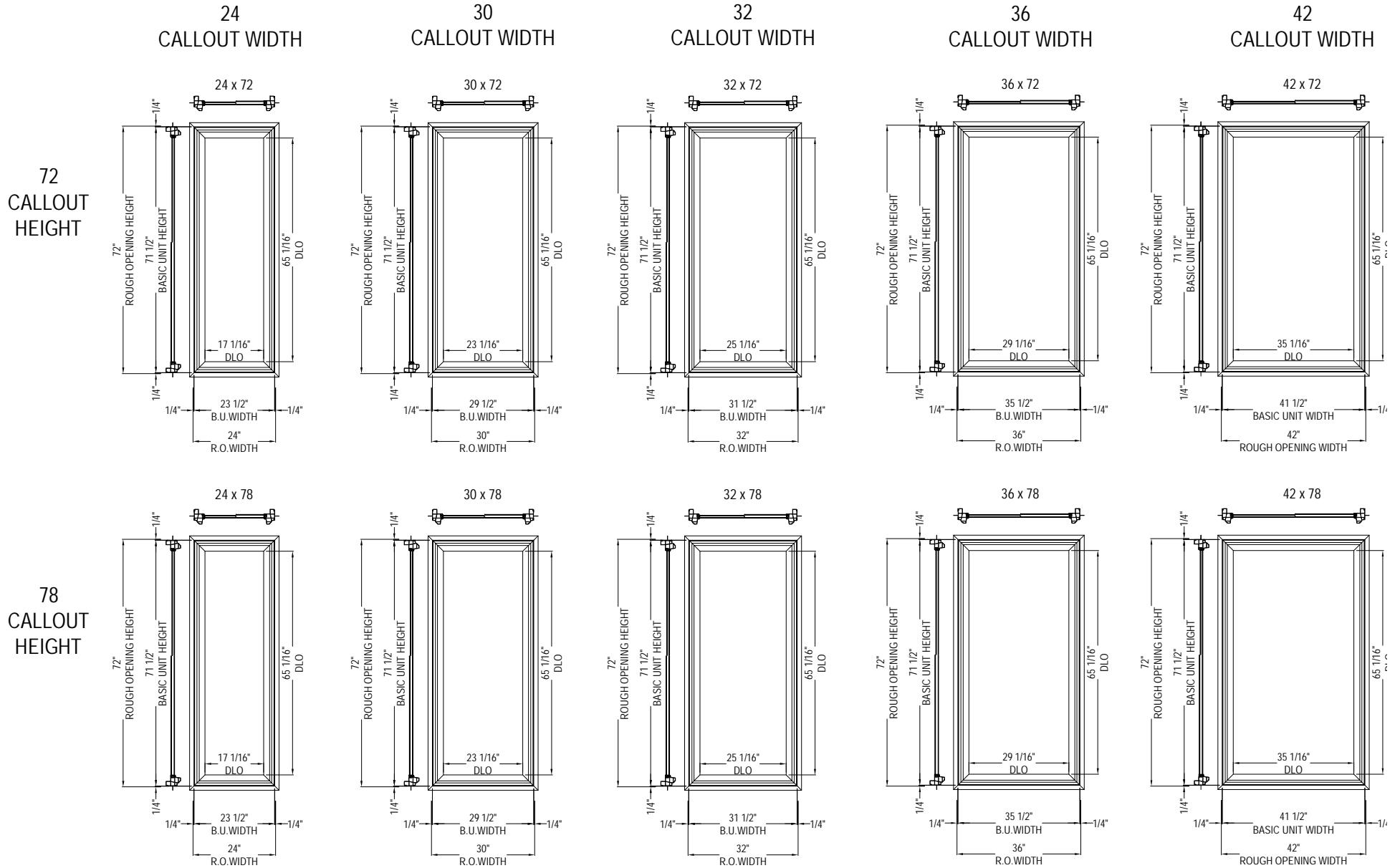
## Windows & Doors

<b>Elevations</b> Page 10 of 12	<b>Scale:</b> 1/2" = 1'-0"
<b>Date:</b> 10/2012	<b>Drawn By:</b> JJB

### Sizing Formulas, Widths & Heights

Basic Unit Width or Height = Glass + 4.25"

Glass Width or Height = Basic Unit - 4.25"



# SUPERSEAL® Premium Picture/Transom Windows

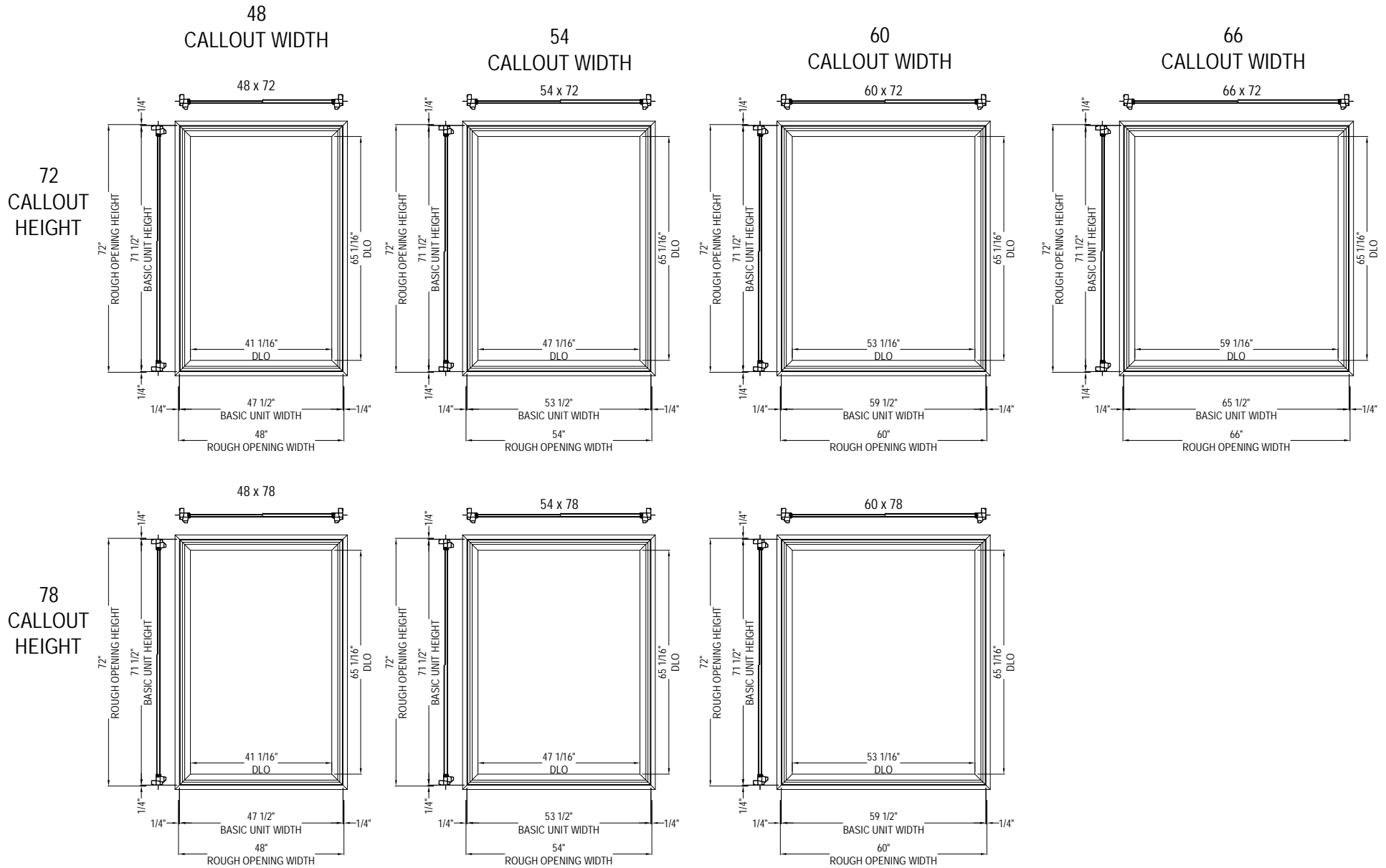
## Windows & Doors

<b>Elevations</b> Page 11 of 12	<b>Scale:</b> 1/2" = 1'-0"
<b>Date:</b> 10/2012	<b>Drawn By:</b> JJB

### Sizing Formulas, Widths & Heights

Basic Unit Width or Height = Glass + 4.25"

Glass Width or Height = Basic Unit - 4.25"

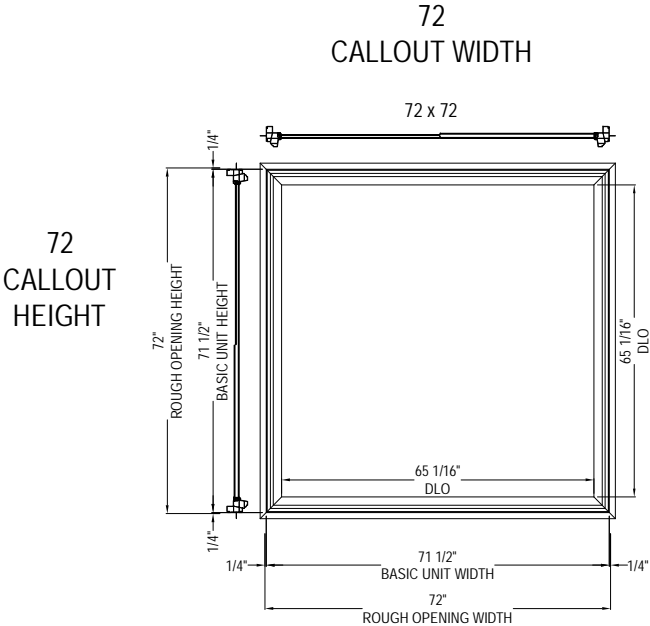


# SUPERSEAL® Premium Picture/Transom Windows

## Windows & Doors

<b>Elevations</b> Page 12 of 12	<b>Scale:</b> 1/2" = 1'-0"
<b>Date:</b> 10/2012	<b>Drawn By:</b> JJB

**Sizing Formulas, Widths & Heights**  
 Basic Unit Width or Height = Glass + 4.25"  
 Glass Width or Height = Basic Unit - 4.25"



# Premium Picture/Transom Windows Multi-Wide Unit Sizes & Glass Sizes

**2 - WIDE Width Chart**

CALLOUT & ROUGH OPENING	OVERALL BASIC UNIT WIDTH
24 - 2W	47 1/2"
30 - 2W	59 1/2"
32 - 2W	63 1/2"
36 - 2W	71 1/2"
42 - 2W	83 1/2"
48 - 2W	95 1/2"
54 - 2W	107 1/2"
60 - 2W	119 1/2"
66 - 2W	131 1/2"
72 - 2W	143 1/2"
84 - 2W	167 1/2"
96 - 2W	191 1/2"

**3 - WIDE Width Chart**

CALLOUT & ROUGH OPENING	OVERALL BASIC UNIT WIDTH
24 - 3W	71 1/2"
30 - 3W	89 1/2"
32 - 3W	95 1/2"
36 - 3W	107 1/2"
42 - 3W	125 1/2"
48 - 3W	143 1/2"
54 - 3W	161 1/2"
60 - 3W	179 1/2"
66 - 3W	233 1/2"
72 - 3W	239 1/2"
84 - 3W	251 1/2"
96 - 3W	263 1/2"

**Not all sizes can be factory mullled**

### Glass Widths & Heights

CALLOUT	Sizes
24	18"
30	24"
32	26"
36	30"
42	36"
48	42"
54	48"
60	54"
66	60"
72	66"
84	78"
96	90"