

SUPERSEAL® Builders' Picture & Transom Windows

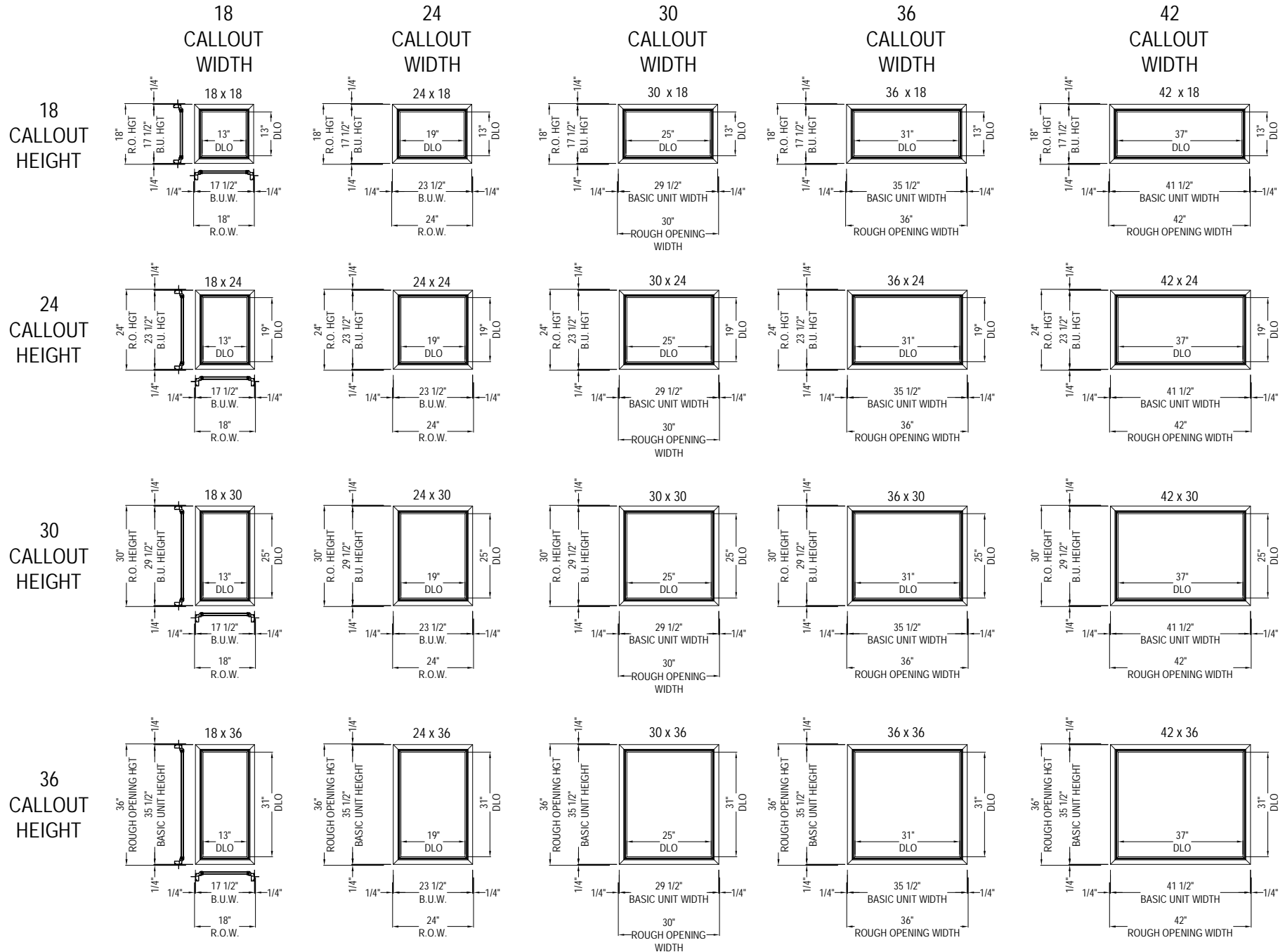
Elevations Page 1 of 11	Scale: 1/2" = 1'-0"
Date: 10/2012	Drawn By: JJB

Sizing Formulas, Widths & Heights

Basic Unit Width or Height = Glass + 3.688"

Glass Width or Height = Basic Unit - 3.688"

Windows & Doors



SUPERSEAL® Builders' Picture & Transom Windows

Elevations Page 2 of 11	Scale: 1/2" = 1'-0"
Date: 10/2012	Drawn By: JJB

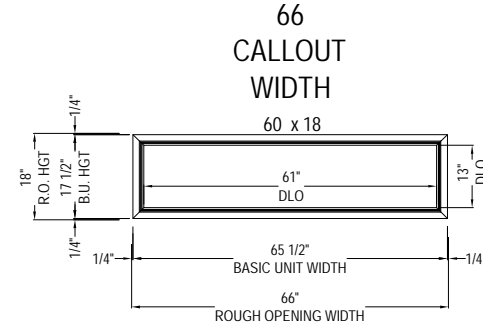
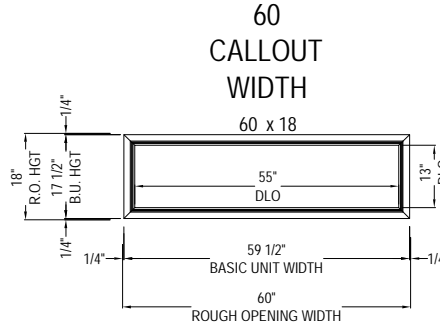
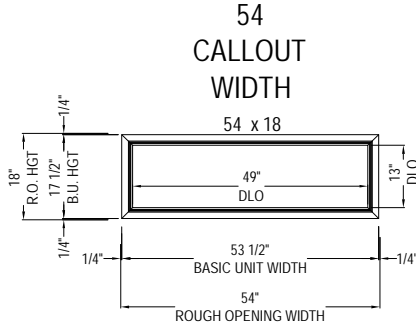
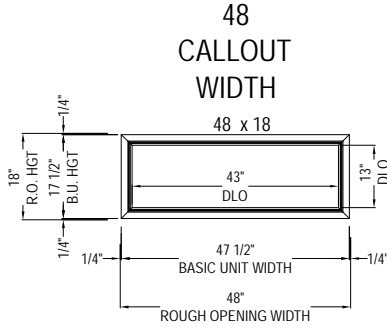
Windows & Doors

Sizing Formulas

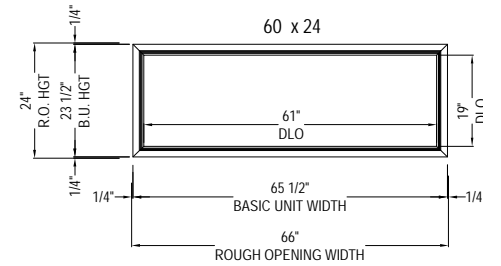
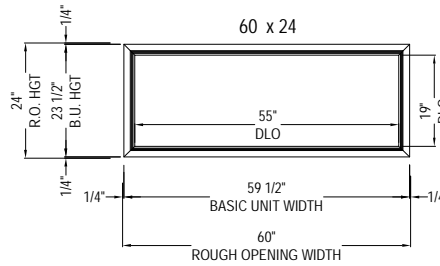
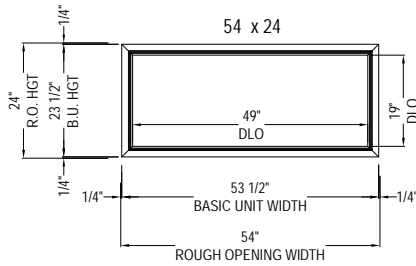
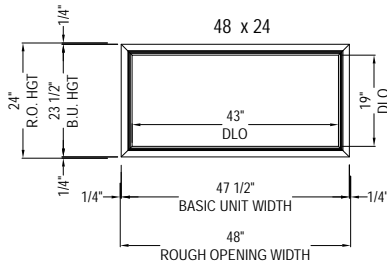
Glass = Basic Unit - 5.625" OR Sash - 3.500"

Sash = Basic Unit - 2.125" OR Glass + 3.500"

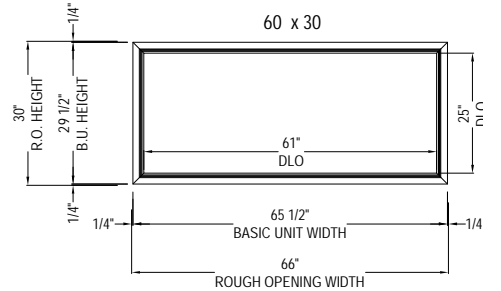
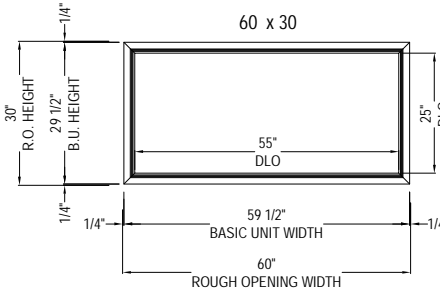
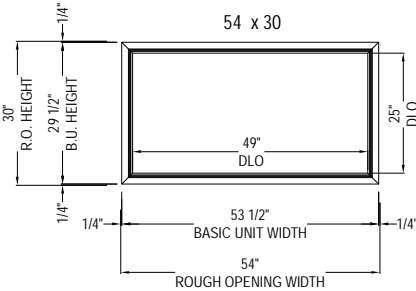
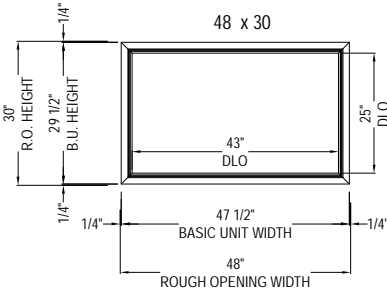
18
CALLOUT
HEIGHT



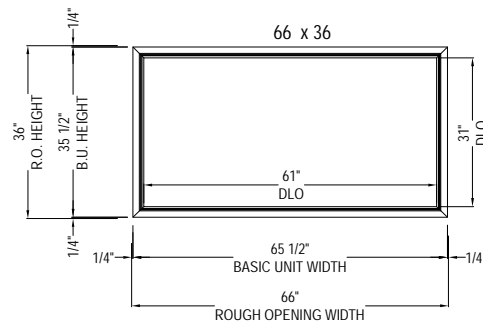
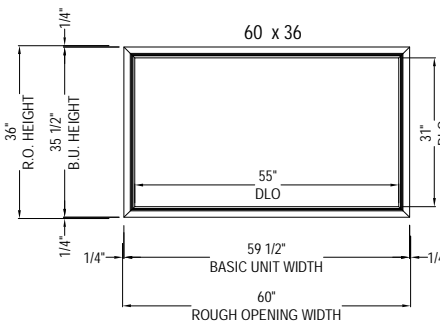
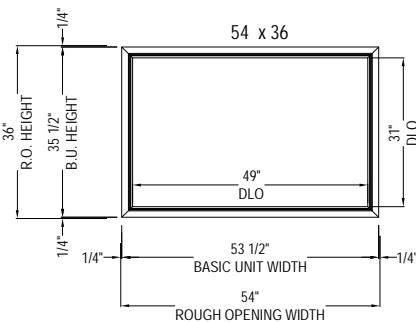
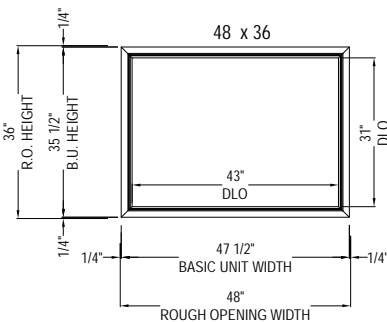
24
CALLOUT
HEIGHT



30
CALLOUT
HEIGHT



36
CALLOUT
HEIGHT



SUPERSEAL® Builders' Picture & Transom Windows

Windows & Doors

Elevations Page 3 of 11	Scale: 1/2" = 1'-0"
Date: 10/2012	Drawn By: JJB

Sizing Formulas

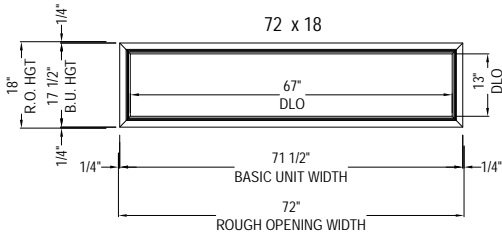
Glass = Basic Unit - 5.625" OR Sash - 3.500"

Sash = Basic Unit - 2.125" OR Glass + 3.500"

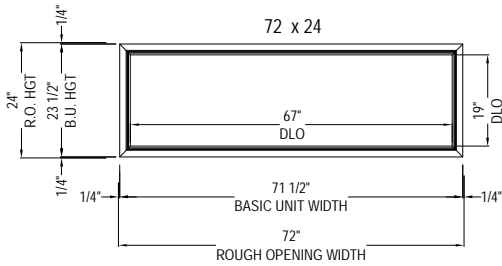
72 CALLOUT WIDTH

72 x 18

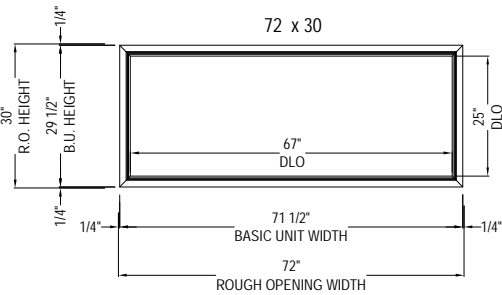
18
CALLOUT
HEIGHT



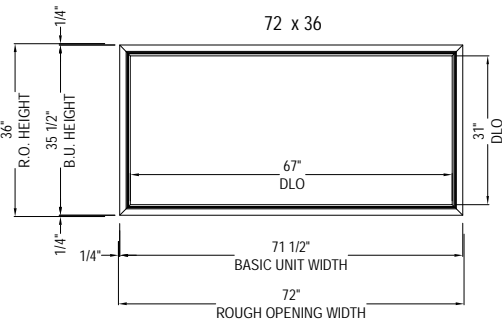
24
CALLOUT
HEIGHT



30
CALLOUT
HEIGHT



36
CALLOUT
HEIGHT



SUPERSEAL® Builders' Picture & Transom Windows

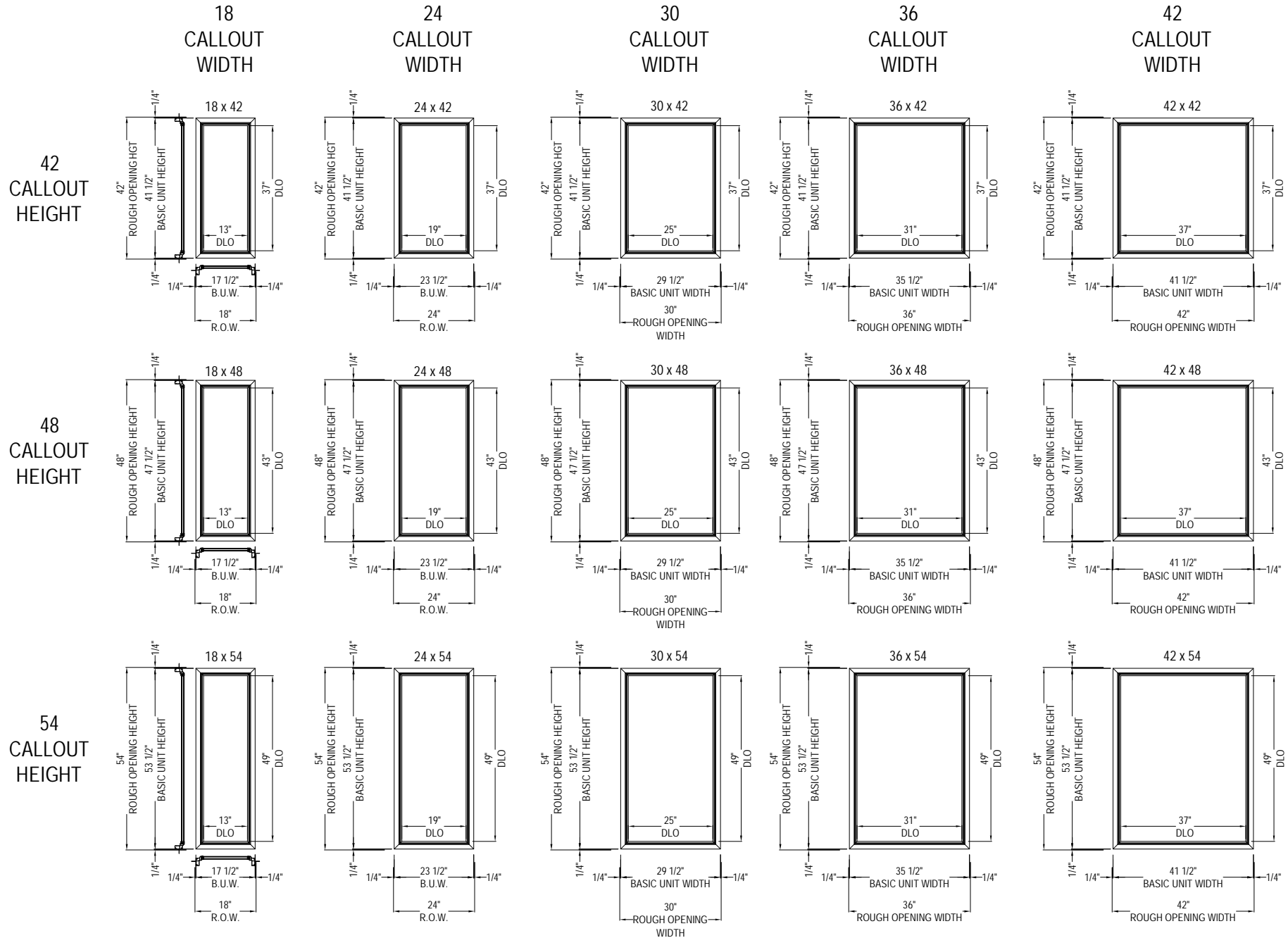
Elevations Page 4 of 11	Scale: 1/2" = 1'-0"
Date: 10/2012	Drawn By: JJB

Sizing Formulas, Widths & Heights

Basic Unit Width or Height = Glass + 3.688"

Glass Width or Height = Basic Unit - 3.688"

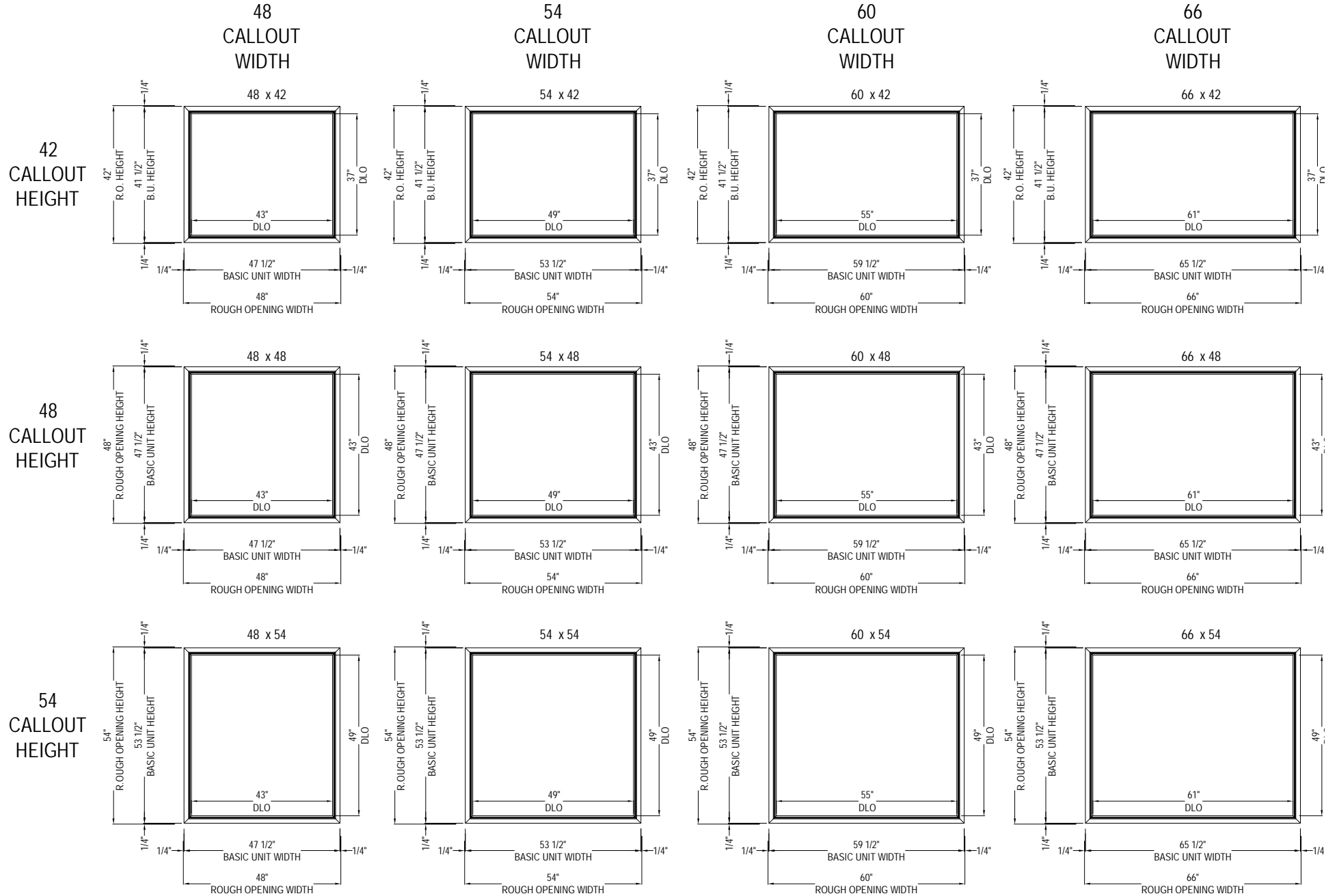
Windows & Doors



SUPERSEAL® Builders' Picture & Transom Windows

Elevations Page 5 of 11	Scale: 1/2" = 1'-0"
Date: 10/2012	Drawn By: JJB

Windows & Doors



SUPERSEAL® Builders' Picture & Transom Windows

Windows & Doors

Elevations Page 6 of 11	Scale: 1/2" = 1'-0"
Date: 10/2012	Drawn By: JJB

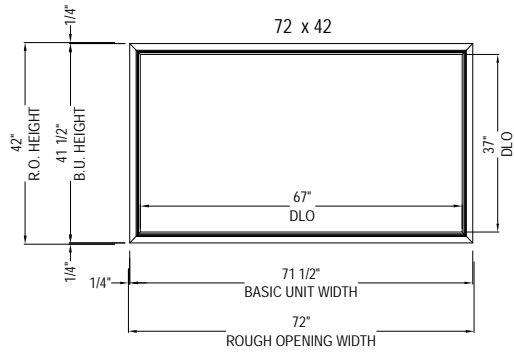
Sizing Formulas

Glass = Basic Unit - 5.625" OR Sash - 3.500"

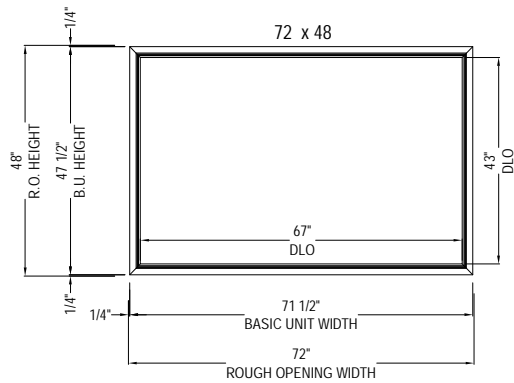
Sash = Basic Unit - 2.125" OR Glass + 3.500"

72
CALLOUT
WIDTH

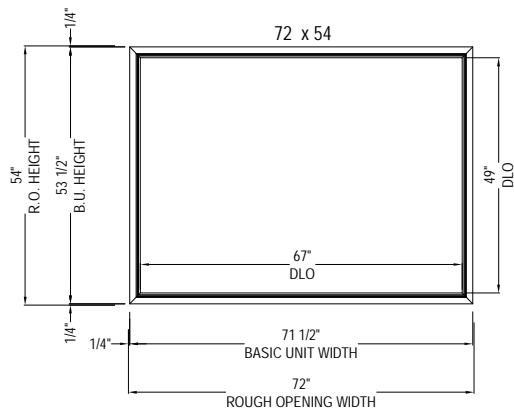
42
CALLOUT
HEIGHT



48
CALLOUT
HEIGHT



54
CALLOUT
HEIGHT



SUPERSEAL® Builders' Picture & Transom Windows

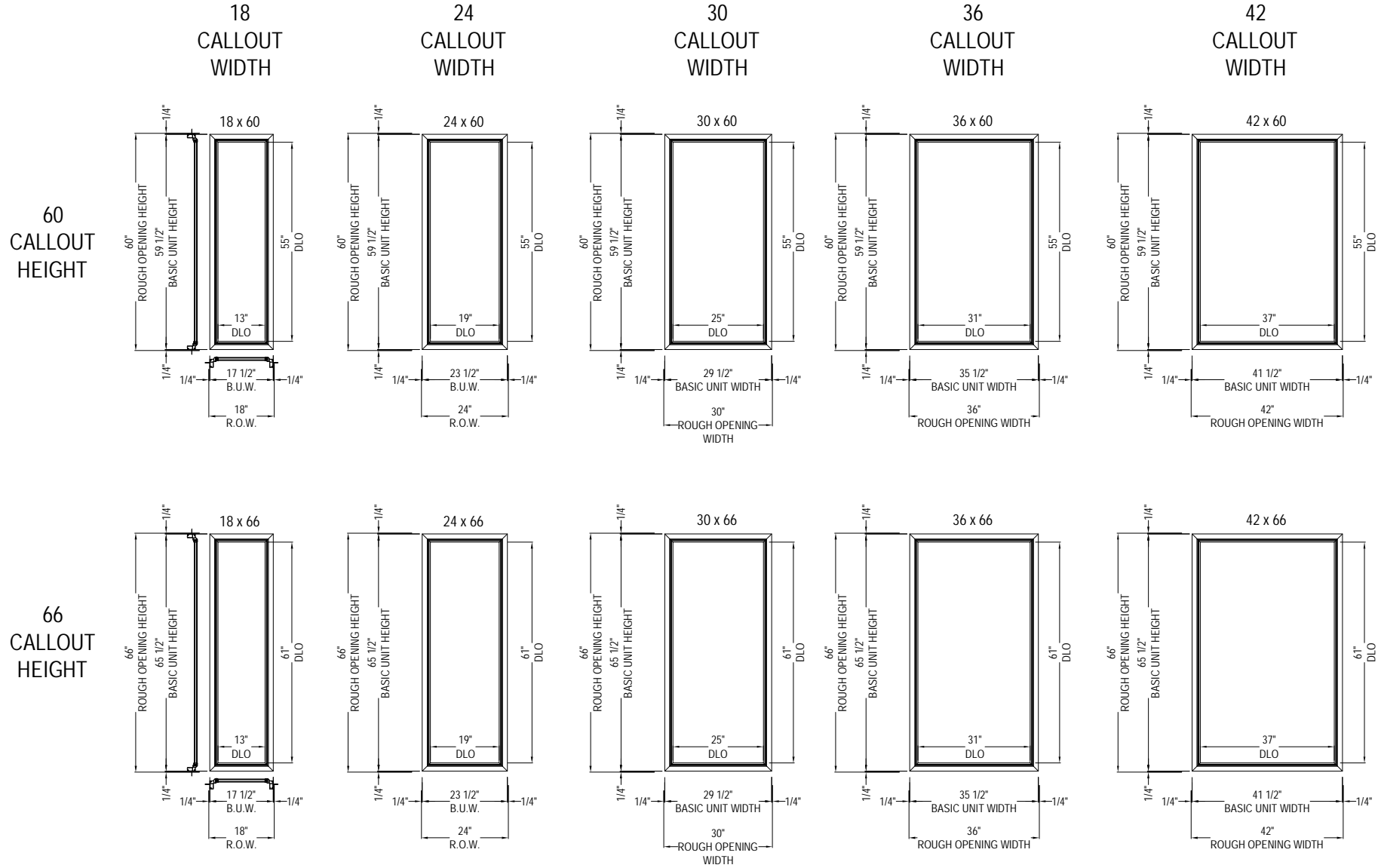
Elevations Page 7 of 11	Scale: 1/2" = 1'-0"
Date: 10/2012	Drawn By: JJB

Sizing Formulas, Widths & Heights

Basic Unit Width or Height = Glass + 3.688"

Glass Width or Height = Basic Unit - 3.688"

Windows & Doors



SUPERSEAL® Builders' Picture & Transom Windows

Elevations Page 8 of 11	Scale: 1/2" = 1'-0"
Date: 10/2012	Drawn By: JJB

Windows & Doors

Sizing Formulas

Glass = Basic Unit - 5.625" OR Sash - 3.500"

Sash = Basic Unit - 2.125" OR Glass + 3.500"

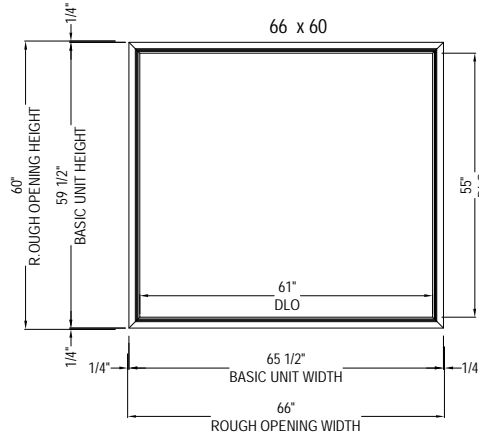
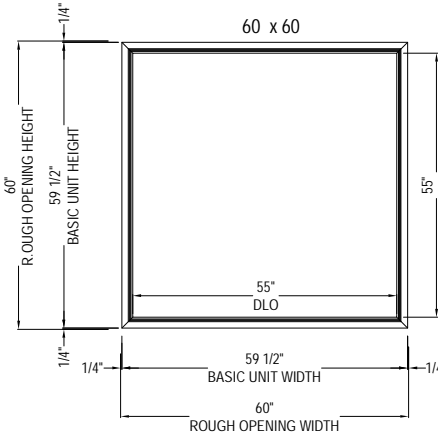
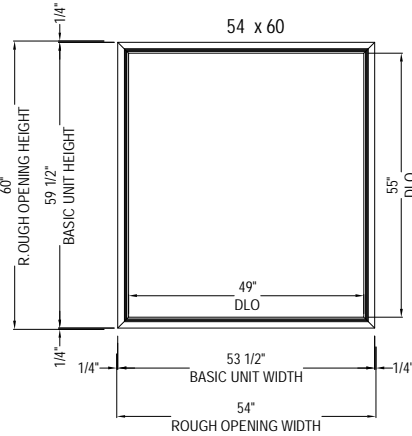
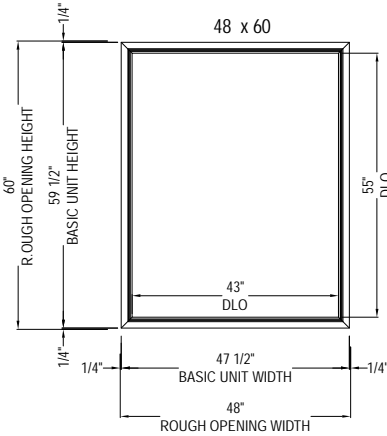
48
CALLOUT
WIDTH

54
CALLOUT
WIDTH

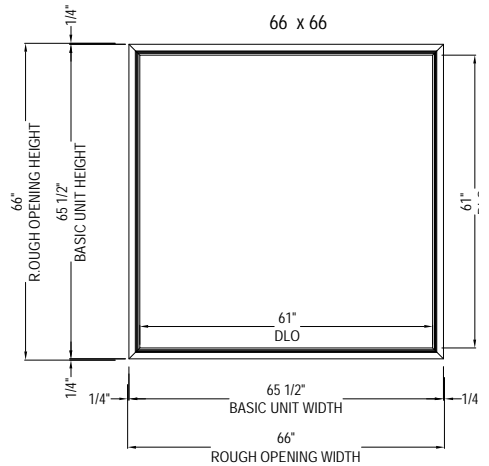
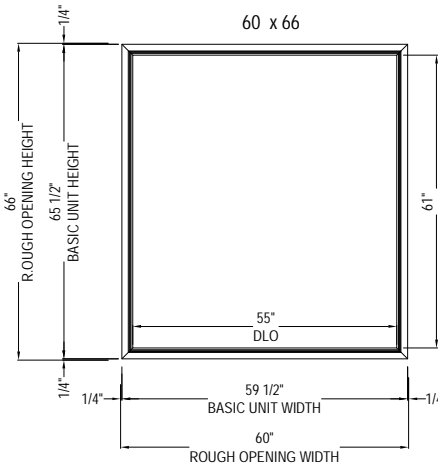
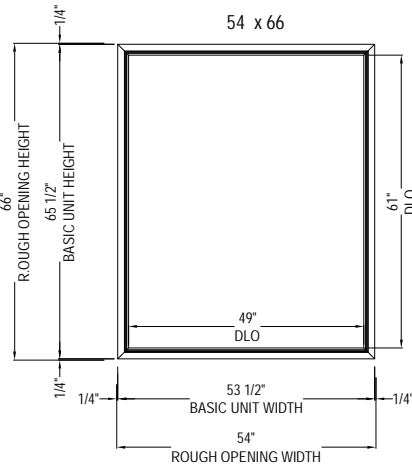
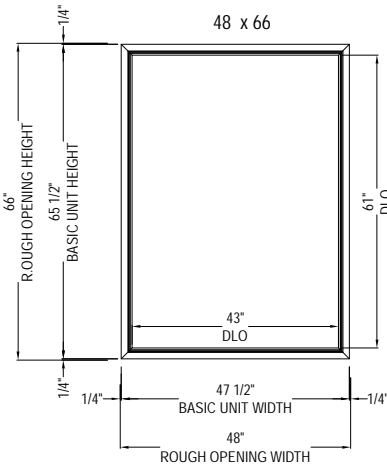
60
CALLOUT
WIDTH

66
CALLOUT
WIDTH

60
CALLOUT
HEIGHT



66
CALLOUT
HEIGHT



SUPERSEAL® Builders' Picture & Transom Windows

Windows & Doors

Elevations Page 9 of 11	Scale: 1/2" = 1'-0"
Date: 10/2012	Drawn By: JJB

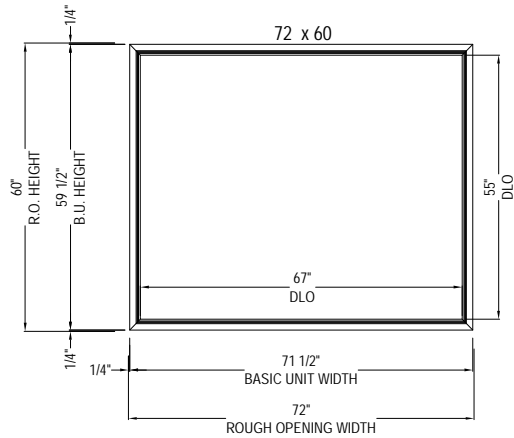
Sizing Formulas

Glass = Basic Unit - 5.625" OR Sash - 3.500"

Sash = Basic Unit - 2.125" OR Glass + 3.500"

72
CALLOUT
WIDTH

60
CALLOUT
HEIGHT



66
CALLOUT
HEIGHT

72 x 66

N/A

SUPERSEAL® Builders' Picture & Transom Windows

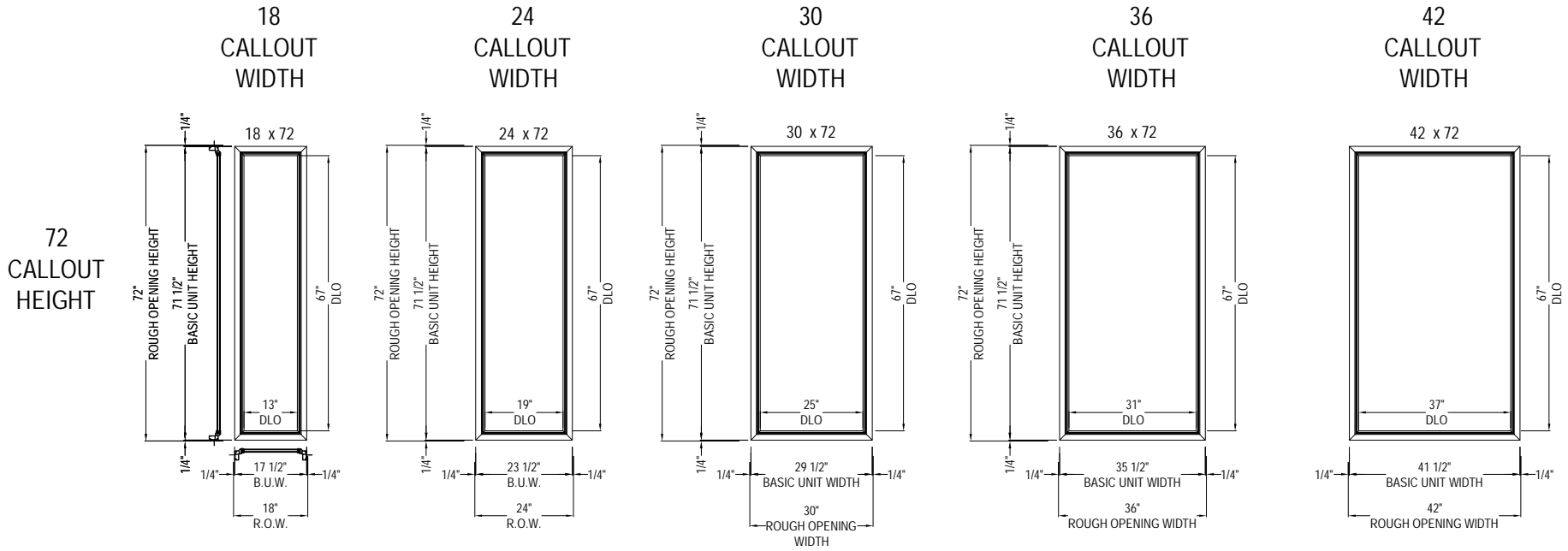
Windows & Doors

Elevations Page 10 of 11	Scale: 1/2" = 1'-0"
Date: 10/2012	Drawn By: JJB

Sizing Formulas

Glass = Basic Unit - 5.625" OR Sash - 3.500"

Sash = Basic Unit - 2.125" OR Glass + 3.500"



Builders' Picture Windows, Multi-Wide Unit Sizes & Glass Sizes

2 - WIDE Width Chart

CALLOUT & ROUGH OPENING	OVERALL BASIC UNIT WIDTH
18 - 2W	35"
24 - 2W	47"
30 - 2W	59"
36 - 2W	71"
42 - 2W	83"
48 - 2W	95"
54 - 2W	107"
60 - 2W	119"
66 - 2W	131"
72 - 2W	143"

3 - WIDE Width Chart

CALLOUT & ROUGH OPENING	OVERALL BASIC UNIT WIDTH
18 - 3W	52 1/2"
24 - 3W	70 1/2"
30 - 3W	88 1/2"
36 - 3W	106 1/2"
42 - 3W	124 1/2"
48 - 3W	142 1/2"
54 - 3W	160 1/2"
60 - 3W	178 1/2"
66 - 3W	196 1/2"
72 - 3W	214 1/2"

Not all sizes can be factory mulled

Glass Widths & Heights

CALLOUT	Sizes
18	13.8125"
24	19.8125"
30	25.8125"
36	31.8125"
42	37.8125"
48	43.8125"
54	49.8125"
60	55.8125"
66	61.8125"
72	67.8125"