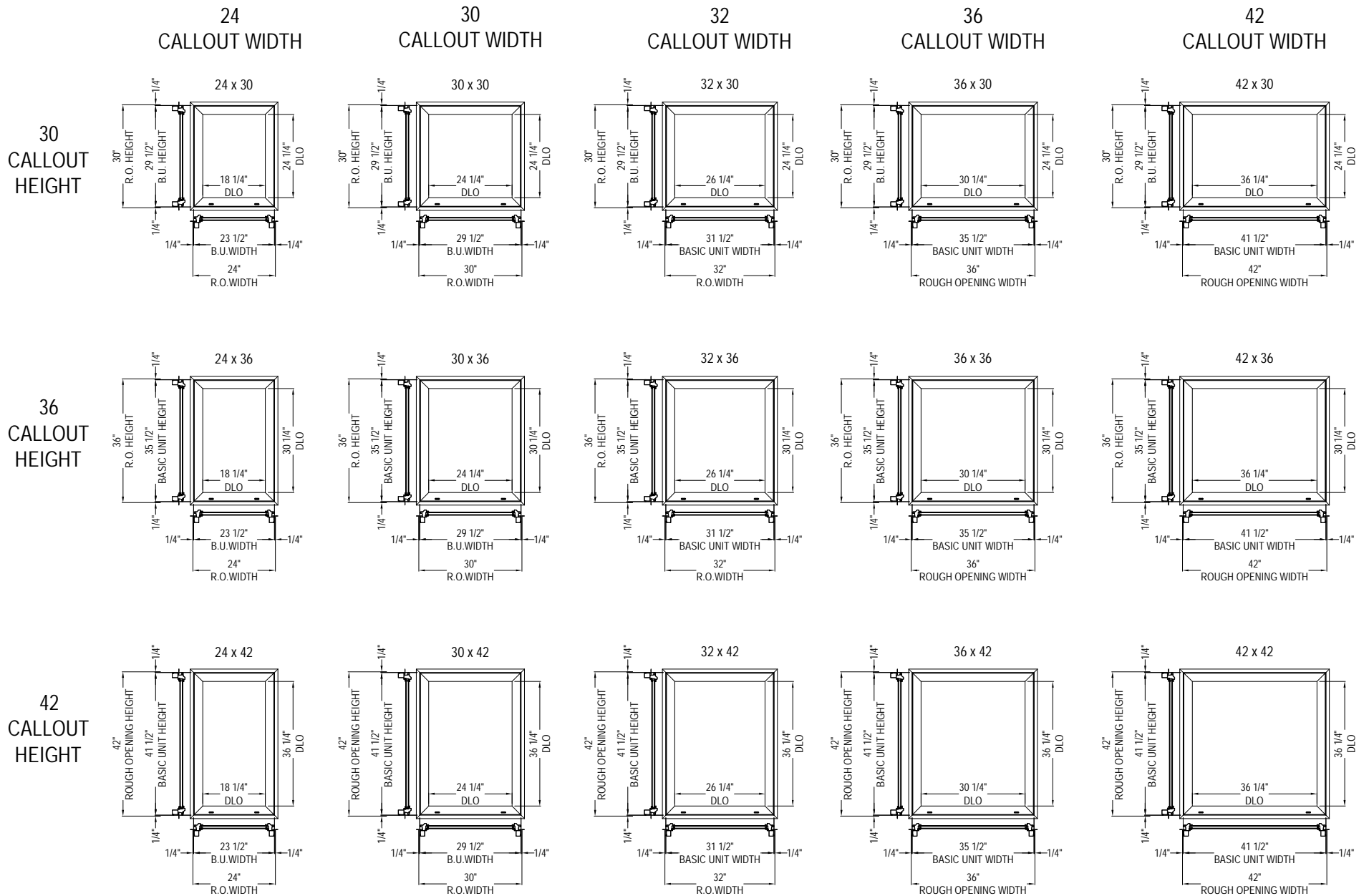


SUPERSEAL® Designers' Picture/Transom Windows

Windows & Doors

Elevations Page 1 of 8	Scale: 1/2" = 1'-0"
Date: 10/2012	Drawn By: JJB

Sizing Formulas, Widths & Heights
 Basic Unit Width or Height = Glass + 4.25"
 Glass Width or Height = Basic Unit - 4.25"

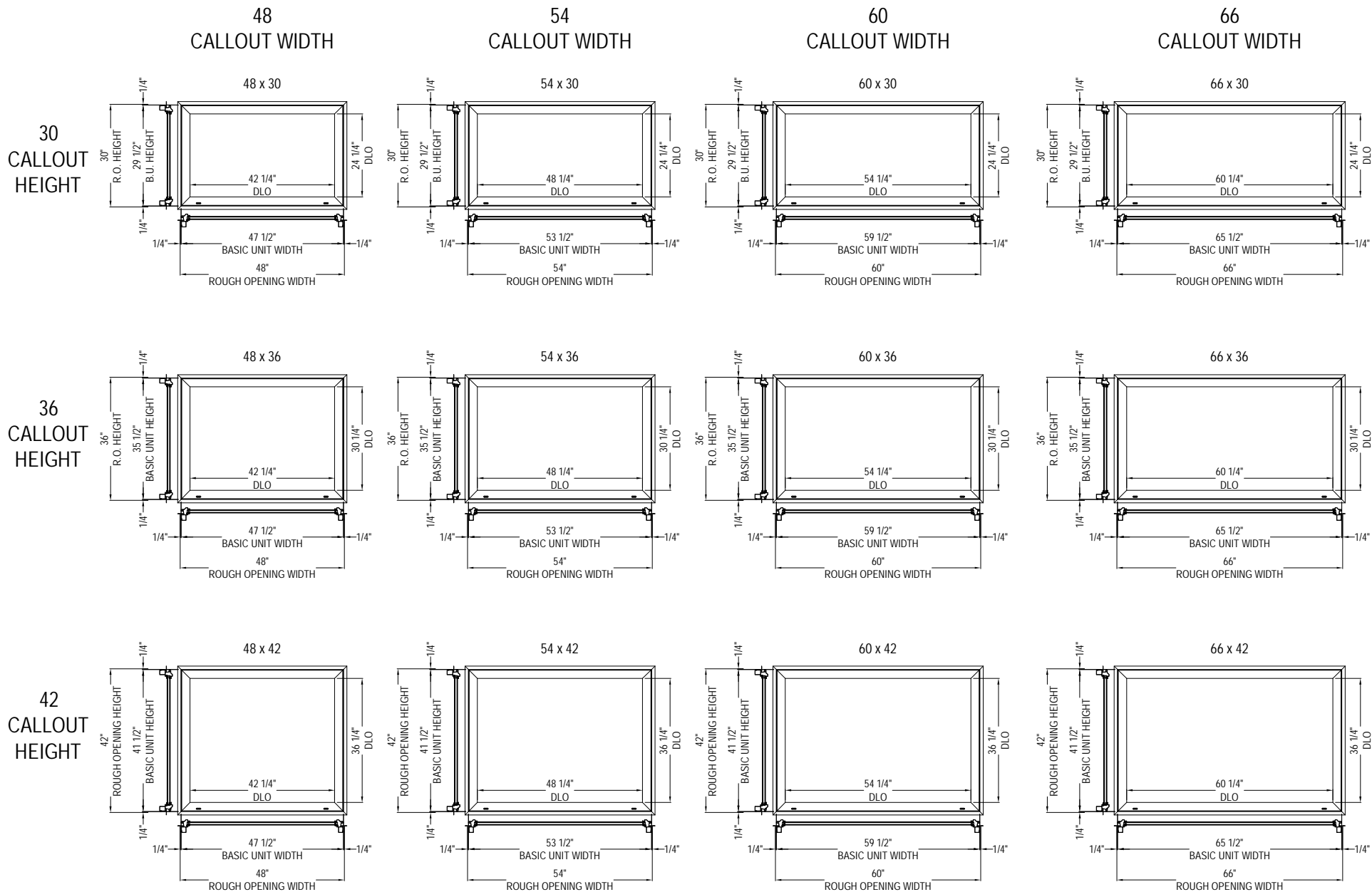


SUPERSEAL® Designers' Picture/Transom Windows

Windows & Doors

Elevations Page 2 of 8	Scale: 1/2" = 1'-0"
Date: 10/2012	Drawn By: JJB

Sizing Formulas, Widths & Heights
 Basic Unit Width or Height = Glass + 4.25"
 Glass Width or Height = Basic Unit - 4.25"



SUPERSEAL® Designers' Picture/Transom Windows

Windows & Doors

Elevations Page 3 of 8	Scale: 1/2" = 1'-0"
Date: 10/2012	Drawn By: JJB

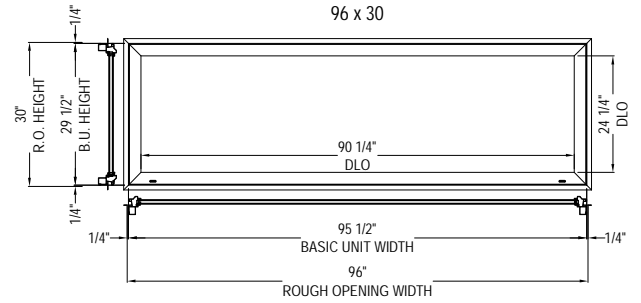
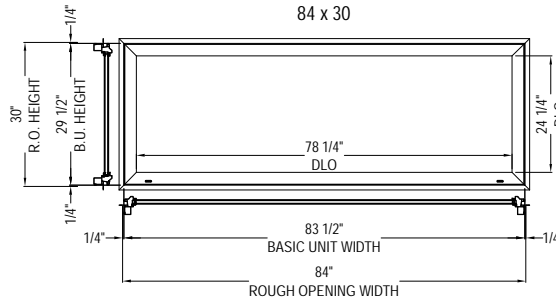
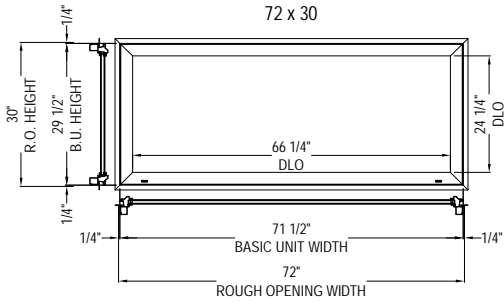
Sizing Formulas, Widths & Heights
 Basic Unit Width or Height = Glass + 4.25"
 Glass Width or Height = Basic Unit - 4.25"

72
CALLOUT WIDTH

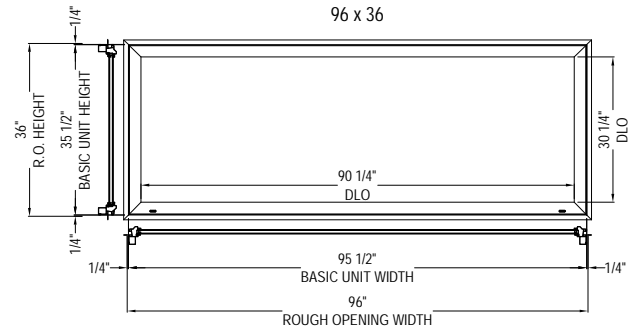
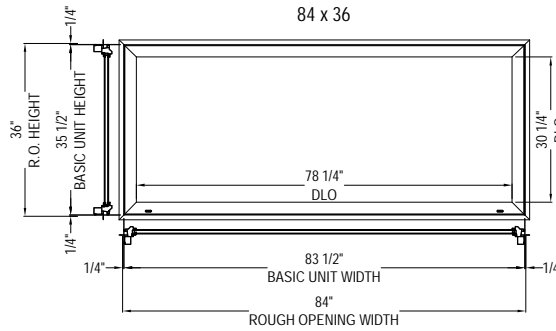
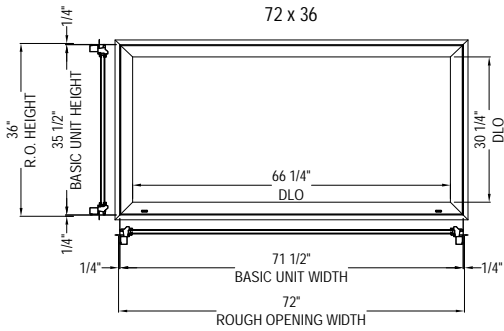
84
CALLOUT WIDTH

96
CALLOUT WIDTH

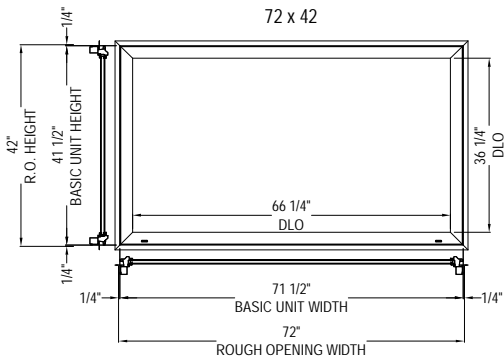
30
CALLOUT
HEIGHT



36
CALLOUT
HEIGHT



42
CALLOUT
HEIGHT



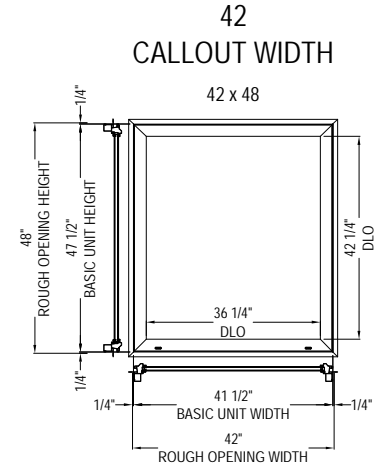
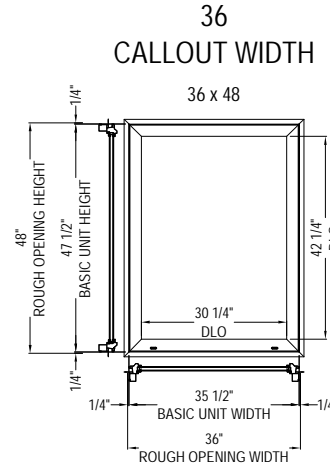
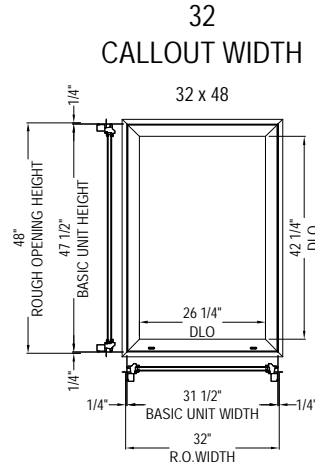
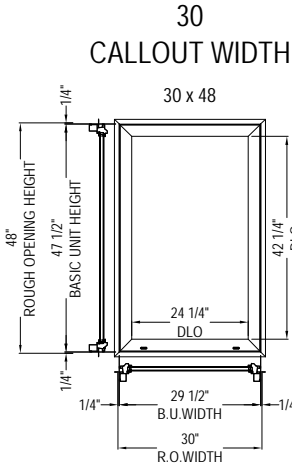
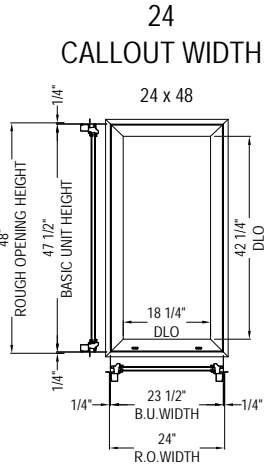
SUPERSEAL® Designers' Picture/Transom Windows

Windows & Doors

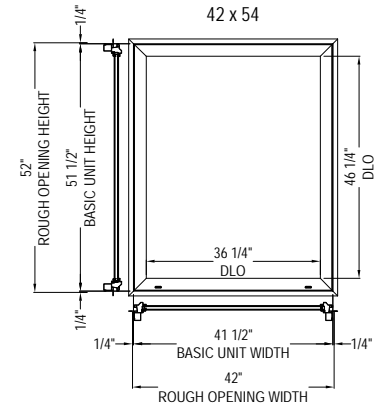
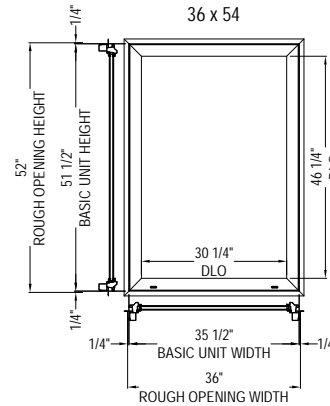
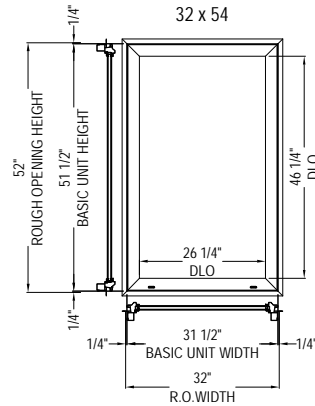
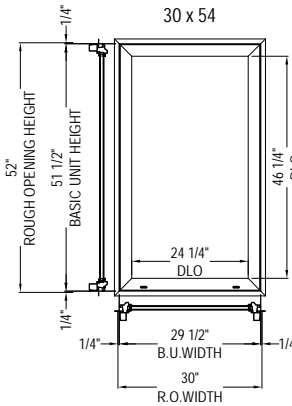
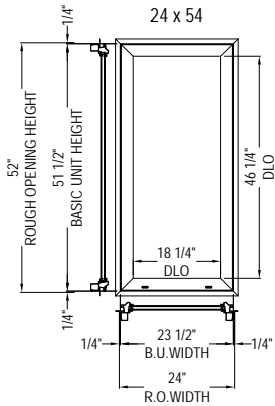
Elevations Page 4 of 8	Scale: 1/2" = 1'-0"
Date: 10/2012	Drawn By: JJB

Sizing Formulas, Widths & Heights
 Basic Unit Width or Height = Glass + 4.25"
 Glass Width or Height = Basic Unit - 4.25"

48
CALLOUT
HEIGHT



54
CALLOUT
HEIGHT



SUPERSEAL® Designers' Picture/Transom Windows

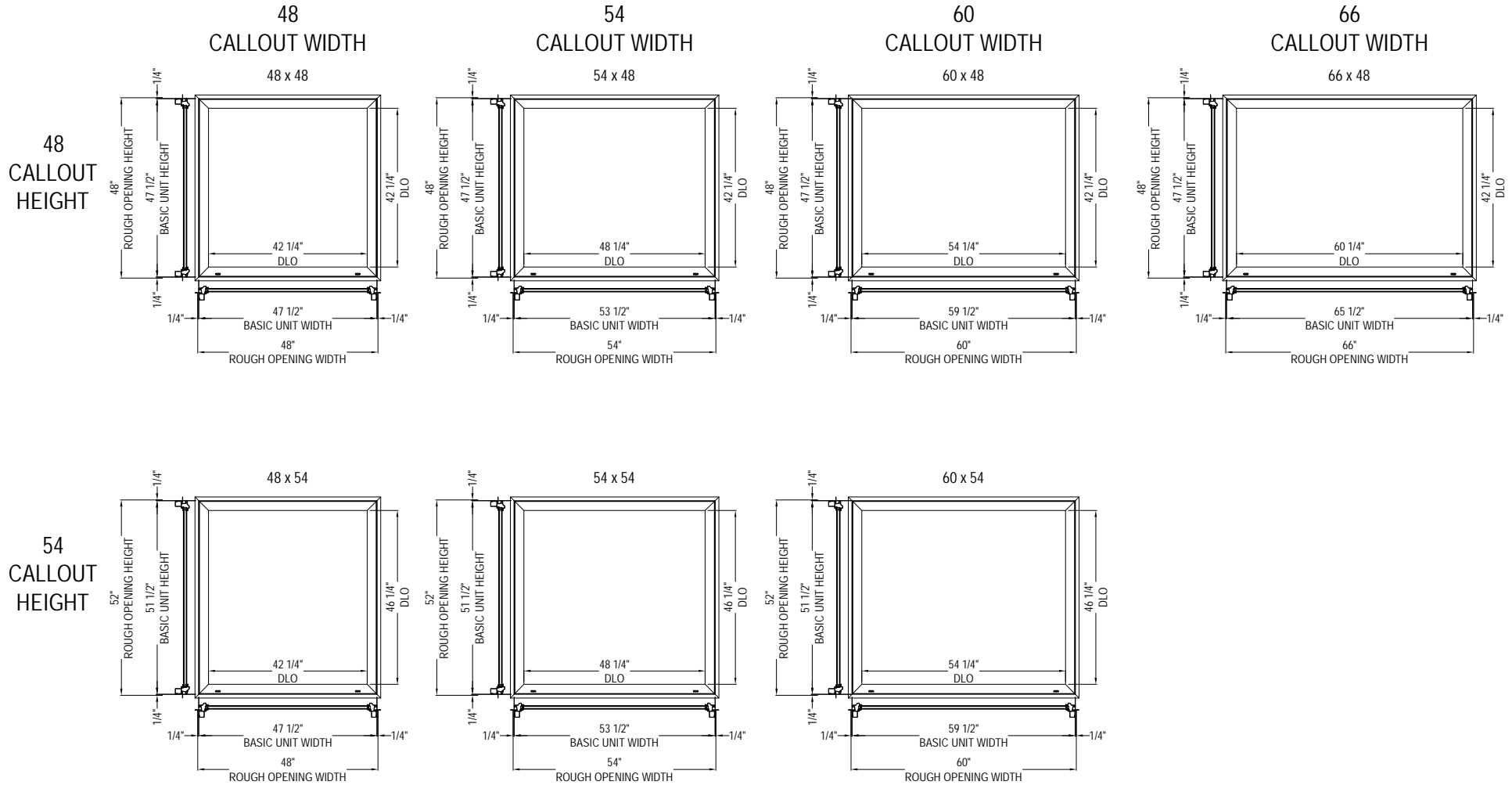
Windows & Doors

Elevations Page 5 of 8	Scale: 1/2" = 1'-0"
Date: 10/2012	Drawn By: JJB

Sizing Formulas, Widths & Heights

Basic Unit Width or Height = Glass + 4.25"

Glass Width or Height = Basic Unit - 4.25"

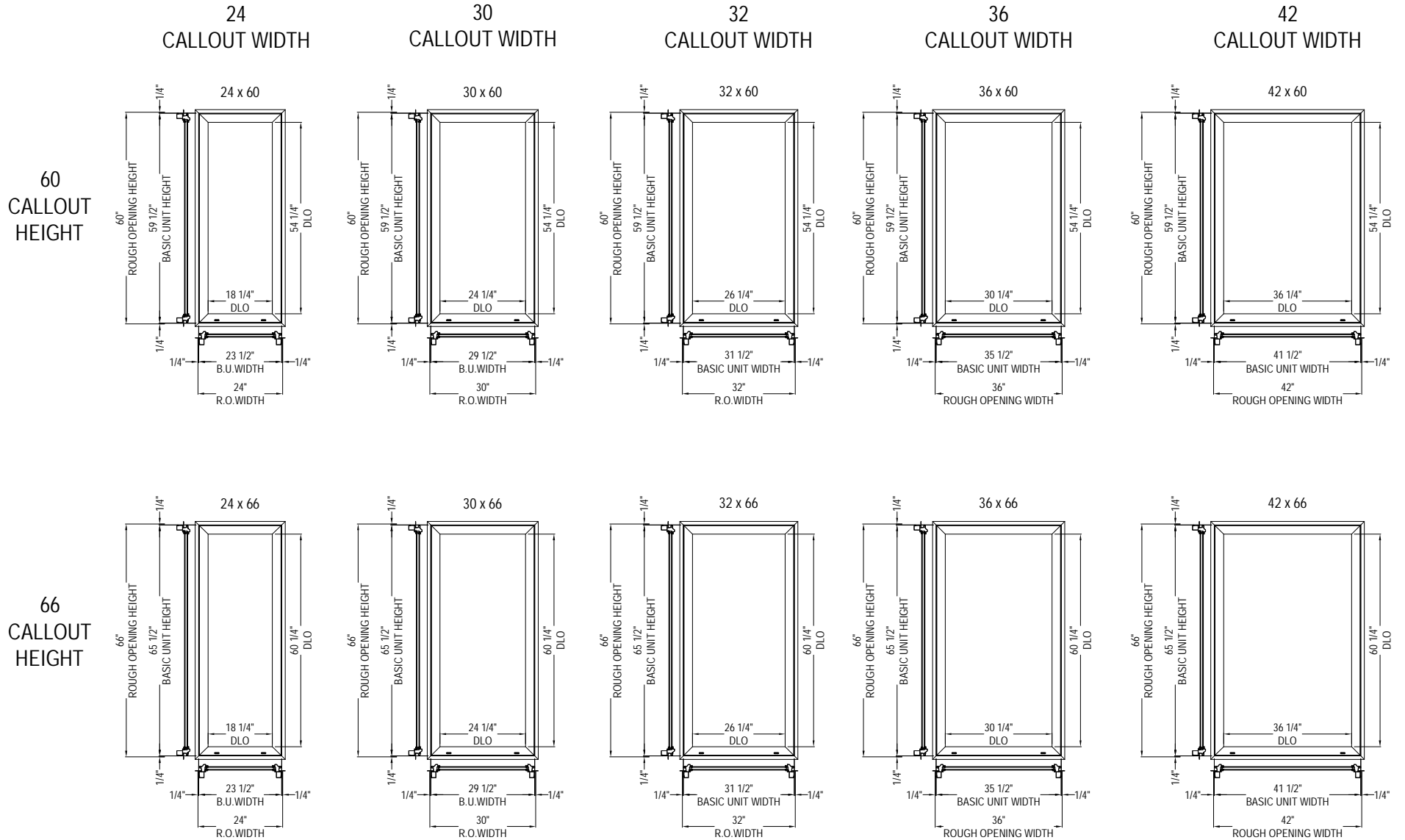


SUPERSEAL® Designers' Picture/Transom Windows

Windows & Doors

Elevations Page 6 of 8	Scale: 1/2" = 1'-0"
Date: 10/2012	Drawn By: JJB

Sizing Formulas, Widths & Heights
 Basic Unit Width or Height = Glass + 4.25"
 Glass Width or Height = Basic Unit - 4.25"



SUPERSEAL® Designers' Picture/Transom Windows

Windows & Doors

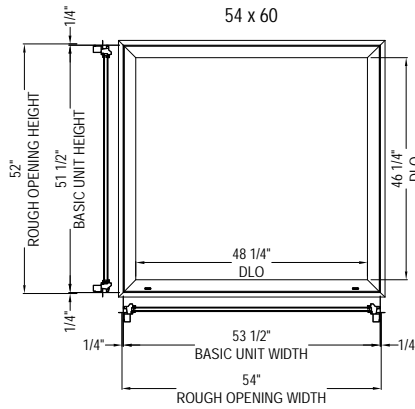
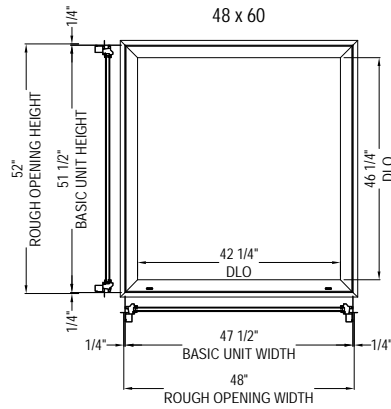
Elevations Page 7 of 8	Scale: 1/2" = 1'-0"
Date: 10/2012	Drawn By: JJB

Sizing Formulas, Widths & Heights
 Basic Unit Width or Height = Glass + 4.25"
 Glass Width or Height = Basic Unit - 4.25"

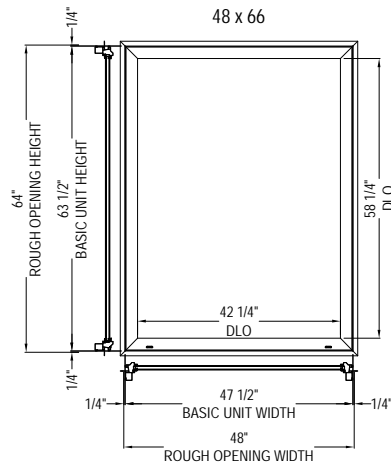
48
CALLOUT WIDTH

54
CALLOUT WIDTH

60
CALLOUT
HEIGHT



66
CALLOUT
HEIGHT



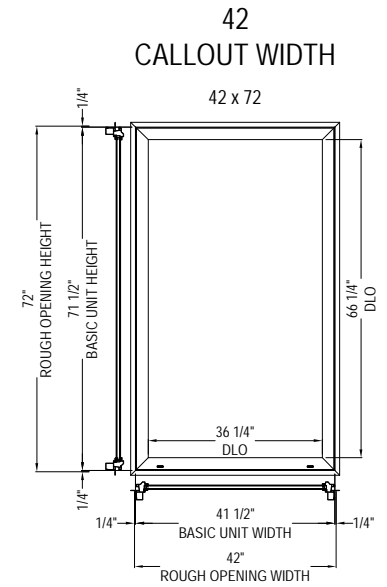
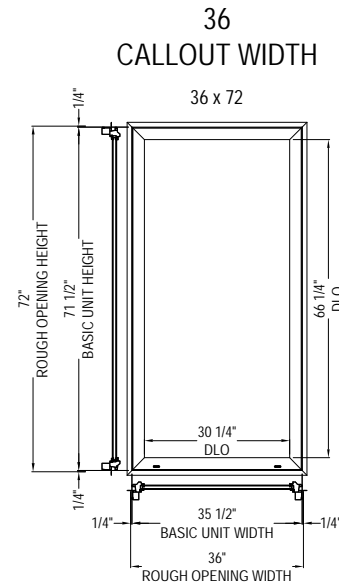
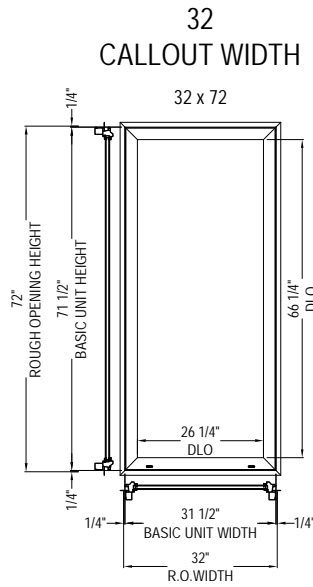
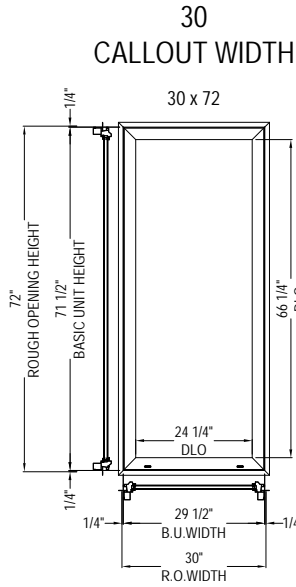
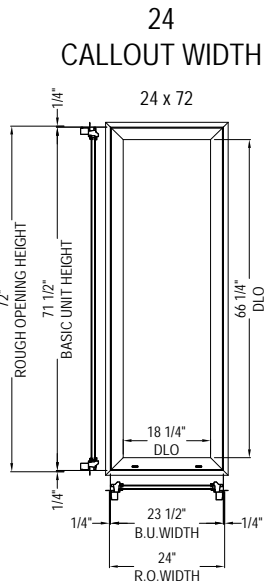
SUPERSEAL® Designers' Picture/Transom Windows

Windows & Doors

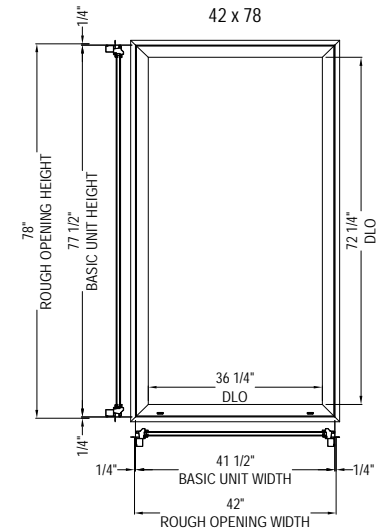
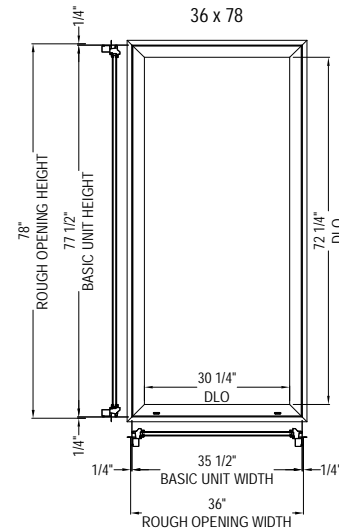
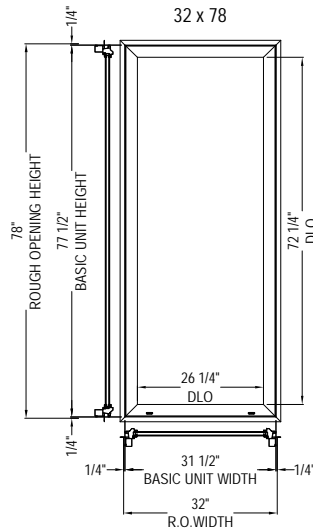
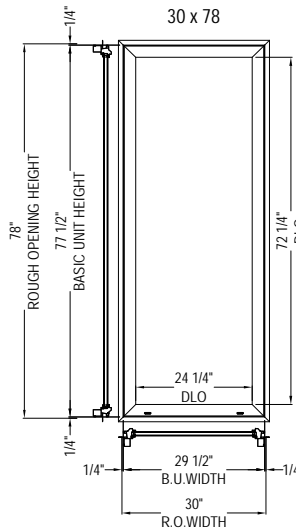
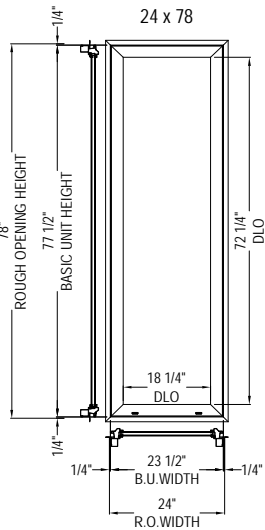
Elevations Page 8 of 8	Scale: 1/2" = 1'-0"
Date: 10/2012	Drawn By: JJB

Sizing Formulas, Widths & Heights
 Basic Unit Width or Height = Glass + 4.25"
 Glass Width or Height = Basic Unit - 4.25"

72
CALLOUT
HEIGHT



78
CALLOUT
HEIGHT



Designers' Picture/Transom Windows, Multi-Wide Unit Sizes & Glass Sizes

2 - WIDE Width Chart

CALLOUT & ROUGH OPENING	OVERALL BASIC UNIT WIDTH
24 - 2W	47 1/2"
30 - 2W	59 1/2"
32 - 2W	63 1/2"
36 - 2W	71 1/2"
42 - 2W	83 1/2"
48 - 2W	95 1/2"
54 - 2W	107 1/2"
60 - 2W	119 1/2"
66 - 2W	131 1/2"
72 - 2W	143 1/2"
84 - 2W	167 1/2"
96 - 2W	191 1/2"

3 - WIDE Width Chart

CALLOUT & ROUGH OPENING	OVERALL BASIC UNIT WIDTH
24 - 3W	71 1/2"
30 - 3W	89 1/2"
32 - 3W	95 1/2"
36 - 3W	107 1/2"
42 - 3W	125 1/2"
48 - 3W	143 1/2"
54 - 3W	161 1/2"
60 - 3W	179 1/2"
66 - 3W	197 1/2"
72 - 3W	215 1/2"
84 - 3W	251 1/2"
96 - 3W	287 1/2"

Not all sizes can be factory mullied

Glass Widths & Heights

CALLOUT	Sizes
24	19.25"
30	25.25"
36	31.25"
42	37.25"
48	43.25"
54	49.25"
60	55.25"
66	61.25"
72	67.25"
84	79.25"
96	91.25"