

Windows & Doors

Egress Data

The following opening specifications have been provided to assist you in determining compliance to Egress codes based on BOCA and UBC code requirements as follows. Each criteria below must be met to be considered an egress window unit.

- The units must be operable from the inside without the use of separate tools.
- All egress from sleeping rooms must have a minimum net clear opening of 5.7 square feet.
- The minimum net clear opening height dimension shall be 24".
The minimum net clear opening width dimension shall be 20".
- The Floor To Sill Height Column is calculated by measuring from the clear opening sill (when unit is open) to the floor. This height cannot be more than 44" above the floor.

- Calculations based on 82 1/2" header height.
- Calculations based on 50/50 Sash Split
- E meets Egress
- Charts can be used are for all glass types available.
- Windows do not have balance covers

Sizing Width Formulas

Basic Unit = (Sash Glass + 4.8125")
 Basic Unit = (Fixed Glass + 4.3125")
 Sash Glass Width = (Basic Unit - 4.8125")
 Fixed Glass Width = (Basic Unit - 4.3125")
 Sash Width = (Sash Glass + 1.6875")

Sizing Height Formulas

Basic Unit Height = (Glass x 2) + 4.625"
 Glass Height = (Basic Unit / 2) - 2.3125"
 Sash Height = Glass + 1.6875"
 Screen Height = Sash Glass + 0.6875"

Screen Width = (Sash Glass + 0.75")
 Screen Width = (Basic Unit - 4.062")

CALLOUT & R.O.	BASIC UNIT SIZE (WIDTH & HEIGHT)	SASH SIZE (WIDTH & HEIGHT)	GLASS SIZE		EGRESS DATA				LIGHT	VENT
			WIDTH	HEIGHT	TOTAL SQ. FT. CLEAR OPENING (Minimum 5.7 sq ft)	CLEAR OPENING WIDTH (Minimum 20")	CLEAR OPENING HEIGHT (Minimum 24")	FLOOR TO SILL HEIGHT (Can not exceed 44")	DAYLIGHT OPENING SQ. FT.	VENTILATION SQ. FT.
24 x 30	23.50" x 29.50"	20.375" x 14.125"	Lower 18.6875", Upper Fixed 19.1875" x 12.4375"	1.242	18.25"	9.799"	55.075"	Upper 1.409, Lower 1.445	1.242	
24 x 36	23.50" x 35.50"	20.375" x 17.125"	Lower 18.6875", Upper Fixed 19.1875" x 15.4375"	1.622	18.25"	12.799"	49.075"	Upper 1.823, Lower 1.773	1.622	
24 x 42	23.50" x 41.50"	20.375" x 20.125"	Lower 18.6875", Upper Fixed 19.1875" x 18.4375"	2.002	18.25"	15.799"	43.075"	Upper 2.202, Lower 2.142	2.002	
24 x 48	23.50" x 47.50"	20.375" x 23.125"	Lower 18.6875", Upper Fixed 19.1875" x 21.4375"	2.383	18.25"	18.799"	37.075"	Upper 2.581, Lower 2.510	2.383	
24 x 54	23.50" x 53.50"	20.375" x 26.125"	Lower 18.6875", Upper Fixed 19.1875" x 24.4375"	2.763	18.25"	21.799"	31.075"	Upper 2.956, Lower 2.879	2.763	
24 x 60	23.50" x 59.50"	20.375" x 29.125"	Lower 18.6875", Upper Fixed 19.1875" x 27.4375"	3.143	18.25"	24.799"	25.075"	Upper 3.340, Lower 3.247	3.143	
24 x 66	23.50" x 65.50"	20.375" x 32.125"	Lower 18.6875", Upper Fixed 19.1875" x 30.4375"	3.523	18.25"	27.799"	19.075"	Upper 3.718, Lower 3.616	3.523	
24 x 72	23.50" x 71.50"	20.375" x 35.125"	Lower 18.6875", Upper Fixed 19.1875" x 33.4375"	3.903	18.25"	30.799"	13.075"	Upper 4.097, Lower 3.984	3.903	
24 x 78	23.50" x 77.50"	20.375" x 38.125"	Lower 18.6875", Upper Fixed 19.1875" x 36.4375"	4.189	18.25"	33.049" ¹	7.075"	Upper 4.476, Lower 4.353	4.189	

CALLOUT & R.O.	BASIC UNIT SIZE (WIDTH & HEIGHT)	SASH SIZE (WIDTH & HEIGHT)	GLASS SIZE (WIDTH & HEIGHT)		TOTAL SQ. FT. CLEAR OPENING (Minimum 5.7 sq ft)	CLEAR OPENING WIDTH (Minimum 20")	CLEAR OPENING HEIGHT (Minimum 24")	FLOOR TO SILL HEIGHT (Can not exceed 44")	DAYLIGHT OPENING SQ. FT.	VENTILATION SQ. FT.
			WIDTH	HEIGHT						
30 x 30	29.50" x 29.50"	26.375" x 14.125"	Lower 24.6875", Upper Fixed 25.1875" x 12.4375"	1.650	24.25"	9.799"	55.075"	Upper 1.921, Lower 1.881	1.650	
30 x 36	29.50" x 35.50"	26.375" x 17.125"	Lower 24.6875", Upper Fixed 25.1875" x 15.4375"	2.155	24.25"	12.799"	49.075"	Upper 2.425, Lower 2.375	2.155	
30 x 42	29.50" x 41.50"	26.375" x 20.125"	Lower 24.6875", Upper Fixed 25.1875" x 18.4375"	2.661	24.25"	15.799"	43.075"	Upper 2.929, Lower 2.869	2.661	
30 x 48	29.50" x 47.50"	26.375" x 23.125"	Lower 24.6875", Upper Fixed 25.1875" x 21.4375"	3.166	24.25"	18.799"	37.075"	Upper 3.433, Lower 3.362	3.166	
30 x 54	29.50" x 53.50"	26.375" x 26.125"	Lower 24.6875", Upper Fixed 25.1875" x 24.4375"	3.671	24.25"	21.799"	31.075"	Upper 3.937, Lower 3.855	3.671	
30 x 60	29.50" x 59.50"	26.375" x 29.125"	Lower 24.6875", Upper Fixed 25.1875" x 27.4375"	4.176	24.25"	24.799"	25.075"	Upper 4.441, Lower 4.349	4.176	
30 x 66	29.50" x 65.50"	26.375" x 32.125"	Lower 24.6875", Upper Fixed 25.1875" x 30.4375"	4.681	24.25"	27.799"	19.075"	Upper 4.945, Lower 4.842	4.681	
30 x 72	29.50" x 71.50"	26.375" x 35.125"	Lower 24.6875", Upper Fixed 25.1875" x 33.4375"	5.187	24.25"	30.799"	13.075"	Upper 5.448, Lower 5.336	5.187	
30 x 78	29.50" x 77.50"	26.375" x 38.125"	Lower 24.6875", Upper Fixed 25.1875" x 36.4375"	5.566	24.25"	33.049" ¹	7.075"	Upper 5.952, Lower 5.829	5.566	

CALLOUT & R.O.	BASIC UNIT SIZE (WIDTH & HEIGHT)	SASH SIZE (WIDTH & HEIGHT)	GLASS SIZE (WIDTH & HEIGHT)		TOTAL SQ. FT. CLEAR OPENING (Minimum 5.7 sq ft)	CLEAR OPENING WIDTH (Minimum 20")	CLEAR OPENING HEIGHT (Minimum 24")	FLOOR TO SILL HEIGHT (Can not exceed 44")	DAYLIGHT OPENING SQ. FT.	VENTILATION SQ. FT.
			WIDTH	HEIGHT						
36 x 30	35.50" x 29.50"	32.375" x 14.125"	Lower 30.6875" x Upper Fixed 31.1875" x 12.4375"	2.058	30.25"	9.799"	55.075"	Upper 2.692, Lower 2.651	2.058	
36 x 36	35.50" x 35.50"	32.375" x 17.125"	Lower 30.6875" x Upper Fixed 31.1875" x 15.4375"	2.689	30.25"	12.799"	49.075"	Upper 3.027, Lower 2.976	2.689	
36 x 42	35.50" x 41.50"	32.375" x 20.125"	Lower 30.6875" x Upper Fixed 31.1875" x 18.4375"	3.319	30.25"	15.799"	43.075"	Upper 3.656, Lower 3.595	3.319	
36 x 48	35.50" x 47.50"	32.375" x 23.125"	Lower 30.6875" x Upper Fixed 31.1875" x 21.4375"	3.949	30.25"	18.799"	37.075"	Upper 4.284, Lower 4.213	3.949	
36 x 54	35.50" x 53.50"	32.375" x 26.125"	Lower 30.6875" x Upper Fixed 31.1875" x 24.4375"	4.579	30.25"	21.799"	31.075"	Upper 4.913, Lower 4.812	4.579	
36 x 60	35.50" x 59.50"	32.375" x 29.125"	Lower 30.6875" x Upper Fixed 31.1875" x 27.4375"	5.210	30.25"	24.799"	25.075"	Upper 5.542, Lower 5.450	5.210	
36 x 66 E	35.50" x 65.50"	32.375" x 32.125"	Lower 30.6875" x Upper Fixed 31.1875" x 30.4375"	5.840	30.25"	27.799"	19.075"	Upper 6.171, Lower 6.070	5.840	
36 x 72 E	35.50" x 71.50"	32.375" x 35.125"	Lower 30.6875" x Upper Fixed 31.1875" x 33.4375"	6.470	30.25"	30.799"	13.075"	Upper 6.800, Lower 6.687	6.470	
36 x 78 E	35.50" x 77.50"	32.375" x 38.125"	Lower 30.6875" x Upper Fixed 31.1875" x 36.4375"	6.943	30.25"	33.049" ¹	7.075"	Upper 7.429, Lower 7.306	6.943	

¹ Maximum travel is 33.049".

Egress Data

The following opening specifications have been provided to assist you in determining compliance to Egress codes based on BOCA and UBC code requirements as follows. Each criteria below must be met to be considered an egress window unit.

- Calculations based on 82 1/2" header height.
- Calculations based on 50/50 Sash Split
- **E** meets Egress

Windows & Doors

1. The units must be operable from the inside without the use of separate tools.
2. All egress from sleeping rooms must have a minimum net clear opening of 5.7 square feet.
3. The minimum net clear opening height dimension shall be 24".
The minimum net clear opening width dimension shall be 20".
4. The Floor To Sill Height Column is calculated by measuring from the clear opening sill (when unit is open) to the floor. This height cannot be more than 44" above the floor.

CALLOUT & R.O.	BASIC UNIT SIZE (WIDTH & HEIGHT)	SASH SIZE (WIDTH & HEIGHT)	GLASS SIZE (WIDTH & HEIGHT)	EGRESS DATA				LIGHT	VENT
				TOTAL SQ. FT. CLEAR OPENING (Minimum 5.7 sq ft)	CLEAR OPENING WIDTH (Minimum 20")	CLEAR OPENING HEIGHT (Minimum 24")	FLOOR TO SILL HEIGHT (Can not exceed 44")	DAYLIGHT OPENING SQ. FT.	VENTILATION SQ. FT.
42 x 30	41.50" x 29.50"	38.375" x 14.125"	Lower 36.6875" x Upper Fixed 37.1875" x 12.4375"	2.467	36.25"	9.799"	55.075"	Upper 2.874, Lower 2.835	2.467
42 x 36	41.50" x 35.50"	38.375" x 17.125"	Lower 36.6875" x Upper Fixed 37.1875" x 15.4375"	3.222	36.25"	12.799"	49.075"	Upper 3.628, Lower 3.578	3.222
42 x 42	41.50" x 41.50"	38.375" x 20.125"	Lower 36.6875" x Upper Fixed 37.1875" x 18.4375"	3.977	36.25"	15.799"	43.075"	Upper 4.382, Lower 4.322	3.977
42 x 48	41.50" x 47.50"	38.375" x 23.125"	Lower 36.6875" x Upper Fixed 37.1875" x 21.4375"	4.732	36.25"	18.799"	37.075"	Upper 5.136, Lower 5.065	4.732
42 x 54	41.50" x 53.50"	38.375" x 26.125"	Lower 36.6875" x Upper Fixed 37.1875" x 24.4375"	5.488	36.25"	21.799"	31.075"	Upper 5.890, Lower 5.809	5.488
42 x 60 E	41.50" x 59.50"	38.375" x 29.125"	Lower 36.6875" x Upper Fixed 37.1875" x 27.4375"	6.243	36.25"	24.799"	25.075"	Upper 6.644, Lower 6.552	6.243
42 x 66 E	41.50" x 65.50"	38.375" x 32.125"	Lower 36.6875" x Upper Fixed 37.1875" x 30.4375"	6.998	36.25"	27.799"	19.075"	Upper 7.398, Lower 7.295	6.998
42 x 72 E	41.50" x 71.50"	38.375" x 35.125"	Lower 36.6875" x Upper Fixed 37.1875" x 33.4375"	7.753	36.25"	30.799"	13.075"	Upper 8.152, Lower 8.039	7.753
42 x 78 E	41.50" x 77.50"	38.375" x 38.125"	Lower 36.6875" x Upper Fixed 37.1875" x 36.4375"	8.320	36.25"	33.049" ¹	7.075"	Upper 8.906, Lower 8.782	8.320

CALLOUT & R.O.	BASIC UNIT SIZE (WIDTH & HEIGHT)	SASH SIZE (WIDTH & HEIGHT)	GLASS SIZE (WIDTH & HEIGHT)	EGRESS DATA				LIGHT	VENT
				TOTAL SQ. FT. CLEAR OPENING (Minimum 5.7 sq ft)	CLEAR OPENING WIDTH (Minimum 20")	CLEAR OPENING HEIGHT (Minimum 24")	FLOOR TO SILL HEIGHT (Can not exceed 44")	DAYLIGHT OPENING SQ. FT.	VENTILATION SQ. FT.
48 x 30	47.50" x 29.50"	44.375" x 14.125"	Lower 42.6875" x Upper Fixed 43.1875" x 12.4375"	2.875	42.25"	9.799"	55.075"	Upper 3.351, Lower 3.311	2.875
48 x 36	47.50" x 35.50"	44.375" x 17.125"	Lower 42.6875" x Upper Fixed 43.1875" x 15.4375"	3.755	42.25"	12.799"	49.075"	Upper 4.230, Lower 4.180	3.755
48 x 42	47.50" x 41.50"	44.375" x 20.125"	Lower 42.6875" x Upper Fixed 43.1875" x 18.4375"	4.635	42.25"	15.799"	43.075"	Upper 5.109, Lower 5.048	4.635
48 x 48	47.50" x 47.50"	44.375" x 23.125"	Lower 42.6875" x Upper Fixed 43.1875" x 21.4375"	5.516	42.25"	18.799"	37.075"	Upper 5.988, Lower 5.917	5.516
<i>48 x 54²</i>	47.50" x 53.50"	44.375" x 26.125"	Lower 42.6875" x Upper Fixed 43.1875" x 24.4375"	<i>6.396^{**}</i>	42.25"	<i>21.799^{**2}</i>	31.075"	Upper 6.866, Lower 6.785	<i>6.396</i>
48 x 60 E	47.50" x 59.50"	44.375" x 29.125"	Lower 42.6875" x Upper Fixed 43.1875" x 27.4375"	7.276	42.25"	24.799"	25.075"	Upper 7.745, Lower 7.654	7.276
48 x 66 E	47.50" x 65.50"	44.375" x 32.125"	Lower 42.6875" x Upper Fixed 43.1875" x 30.4375"	8.156	42.25"	27.799"	19.075"	Upper 8.624, Lower 8.522	8.156
48 x 72 E	47.50" x 71.50"	44.375" x 35.125"	Lower 42.6875" x Upper Fixed 43.1875" x 33.4375"	9.037	42.25"	30.799"	13.075"	Upper 9.503, Lower 9.391	9.037
48 x 78 E	47.50" x 77.50"	44.375" x 38.125"	Lower 42.6875" x Upper Fixed 43.1875" x 36.4375"	9.697	42.25"	33.049" ¹	7.075"	Upper 10.382, Lower 10.259	9.697

² Please note 48 x 54 CALLOUT size does not meet egress due to the Clear Opening Height Minimum 24" rule is not met.

2 Wide Size Chart 2 - WIDE

2, 3 & 4 WIDE CHART Page 1 of 2	Scale: 1/2" = 1'-0"
Date: 02/2014	Drawn By: JJB

Overall basic unit widths are calculated with vertical 1/2" mull.

2 - WIDE

CALLOUT & ROUGH OPENING.	BASIC UNIT SIZE (WIDTH & HEIGHT)
24 x 30 - 2W	47.50" x 29.50"
24 x 36 - 2W	47.50" x 35.50"
24 x 42 - 2W	47.50" x 41.50"
24 x 48 - 2W	47.50" x 47.50"
24 x 54 - 2W	47.50" x 53.50"
24 x 60 - 2W	47.50" x 59.50"
24 x 66 - 2W	47.50" x 65.50"
24 x 72 - 2W	47.50" x 71.50"
24 x 78 - 2W	47.50" x 77.50"

CALLOUT & R.O.	BASIC UNIT SIZE (WIDTH & HEIGHT)
42 x 30 - 2W	83.50" x 29.50"
42 x 36 - 2W	83.50" x 35.50"
42 x 42 - 2W	83.50" x 41.50"
42 x 48 - 2W	83.50" x 47.50"
42 x 54 - 2W	83.50" x 53.50"
42 x 60 - 2W^E	83.50" x 59.50"
42 x 66 - 2W^E	83.50" x 65.50"
42 x 72 - 2W^E	83.50" x 71.50"
42 x 78 - 2W^E	83.50" x 77.50"

CALLOUT & ROUGH OPENING.	BASIC UNIT SIZE (WIDTH & HEIGHT)
30 x 30 - 2W	59.50" x 29.50"
30 x 36 - 2W	59.50" x 35.50"
30 x 42 - 2W	59.50" x 41.50"
30 x 48 - 2W	59.50" x 47.50"
30 x 54 - 2W	59.50" x 53.50"
30 x 60 - 2W	59.50" x 59.50"
30 x 66 - 2W	59.50" x 65.50"
30 x 72 - 2W	59.50" x 71.50"
30 x 78 - 2W	59.50" x 77.50"

CALLOUT & R.O.	BASIC UNIT SIZE (WIDTH & HEIGHT)
48 x 30 - 2W	95.50" x 29.50"
48 x 36 - 2W	95.50" x 35.50"
48 x 42 - 2W	95.50" x 41.50"
48 x 48 - 2W	95.50" x 47.50"
48 x 54 - 2W	95.50" x 53.50"
48 x 60 - 2W^E	95.50" x 59.50"
48 x 66 - 2W^E	95.50" x 65.50"
48 x 72 - 2W^E	95.50" x 71.50"
48 x 78 - 2W^E	95.50" x 77.50"

CALLOUT & ROUGH OPENING.	BASIC UNIT SIZE (WIDTH & HEIGHT)
36 x 30 - 2W	71.50" x 29.50"
36 x 36 - 2W	71.50" x 35.50"
36 x 42 - 2W	71.50" x 41.50"
36 x 48 - 2W	71.50" x 47.50"
36 x 54 - 2W	71.50" x 53.50"
36 x 60 - 2W	71.50" x 59.50"
36 x 66 - 2W^E	71.50" x 65.50"
36 x 72 - 2W^E	71.50" x 71.50"
36 x 78 - 2W^E	71.50" x 77.50"

** Calculations based on 82 1/2" header height.
E meets Egress

2, 3 & 4 WIDE CHART Page 2 of 2	Scale: 1/2" = 1'-0"
Date: 02/2014	Drawn By: JJB

Overall basic unit widths are calculated with vertical 1/2" mull.

3 - WIDE

CALLOUT & ROUGH OPENING.	BASIC UNIT SIZE (WIDTH & HEIGHT)
24 x 30 - 3W	71.50" x 29.50"
24 x 36 - 3W	71.50" x 35.50"
24 x 42 - 3W	71.50" x 41.50"
24 x 48 - 3W	71.50" x 47.50"
24 x 54 - 3W	71.50" x 53.50"
24 x 60 - 3W	71.50" x 59.50"
24 x 66 - 3W	71.50" x 65.50"
24 x 72 - 3W	71.50" x 71.50"
24 x 78 - 3W	71.50" x 77.50"

3 - WIDE

CALLOUT & R.O.	BASIC UNIT SIZE (WIDTH & HEIGHT)
42 x 30 - 3W	125.50" x 29.50"
42 x 36 - 3W	125.50" x 35.50"
42 x 42 - 3W	125.50" x 41.50"
42 x 48 - 3W	125.50" x 47.50"
42 x 54 - 3W	125.50" x 53.50"
42 x 60 - 3W^E	125.50" x 59.50"
42 x 66 - 3W^E	125.50" x 65.50"
42 x 72 - 3W^E	125.50" x 71.50"
42 x 78 - 3W^E	125.50" x 77.50"

CALLOUT & ROUGH OPENING.	BASIC UNIT SIZE (WIDTH & HEIGHT)
30 x 30 - 3W	89.50" x 29.50"
30 x 36 - 3W	89.50" x 35.50"
30 x 42 - 3W	89.50" x 41.50"
30 x 48 - 3W	89.50" x 47.50"
30 x 54 - 3W	89.50" x 53.50"
30 x 60 - 3W	89.50" x 59.50"
30 x 66 - 3W	89.50" x 65.50"
30 x 72 - 3W	89.50" x 71.50"
30 x 78 - 3W	89.50" x 77.50"

CALLOUT & R.O.	BASIC UNIT SIZE (WIDTH & HEIGHT)
48 x 30 - 3W	143.50" x 29.50"
48 x 36 - 3W	143.50" x 35.50"
48 x 42 - 3W	143.50" x 41.50"
48 x 48 - 3W	143.50" x 47.50"
48 x 54 - 3W	143.50" x 53.50"
48 x 60 - 3W^E	143.50" x 59.50"
48 x 66 - 3W^E	143.50" x 65.50"
48 x 72 - 3W^E	143.50" x 71.50"
48 x 78 - 3W^E	143.50" x 77.50"

CALLOUT & ROUGH OPENING.	BASIC UNIT SIZE (WIDTH & HEIGHT)
36 x 30 - 3W	107.50" x 29.50"
36 x 36 - 3W	107.50" x 35.50"
36 x 42 - 3W	107.50" x 41.50"
36 x 48 - 3W	107.50" x 47.50"
36 x 54 - 3W	107.50" x 53.50"
36 x 60 - 3W	107.50" x 59.50"
36 x 66 - 3W^E	107.50" x 65.50"
36 x 72 - 3W^E	107.50" x 71.50"
36 x 78 - 3W^E	107.50" x 77.50"

** Calculations based on 82 1/2" header height.
E meets Egress

Elevations Page 1 of 5	Scale: 1/2" = 1'-0"
Date: 02/2014	Drawn By: JJB

24
CALLOUT
WIDTH

30
CALLOUT
WIDTH

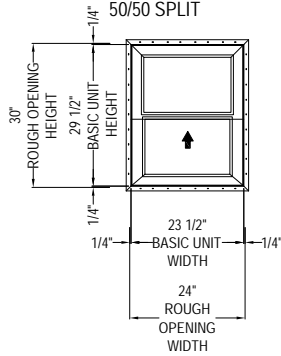
36
CALLOUT
WIDTH

42
CALLOUT
WIDTH

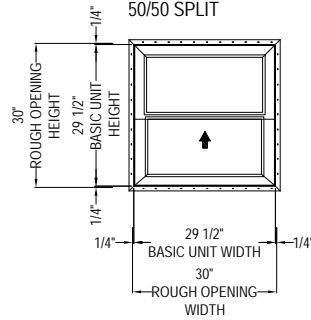
48
CALLOUT
WIDTH

30
CALLOUT
HEIGHT

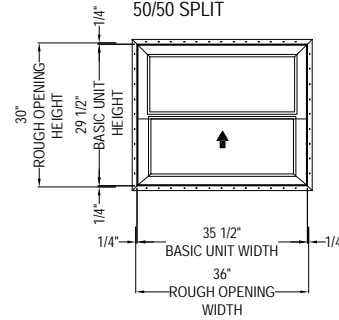
24X30 CALLOUT
50/50 SPLIT



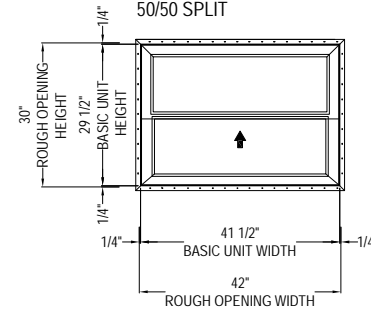
30X30 CALLOUT
50/50 SPLIT



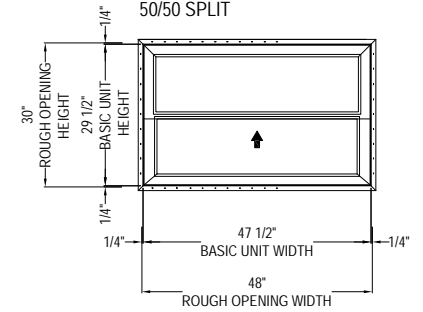
36X30 CALLOUT
50/50 SPLIT



42X30 CALLOUT
50/50 SPLIT

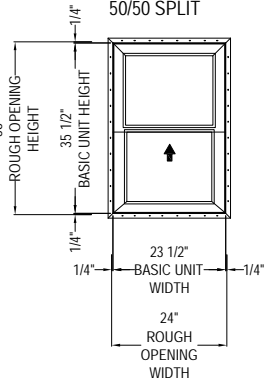


48X30 CALLOUT
50/50 SPLIT

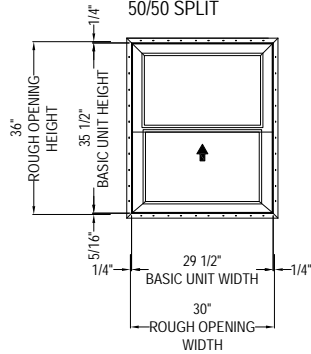


36
CALLOUT
HEIGHT

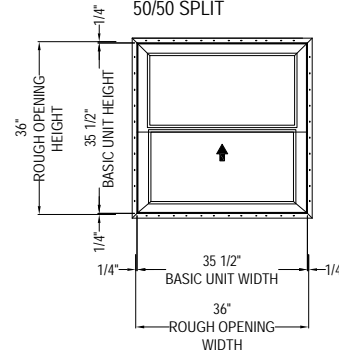
24X36 CALLOUT
50/50 SPLIT



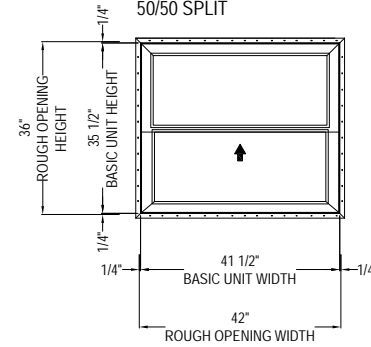
30X36 CALLOUT
50/50 SPLIT



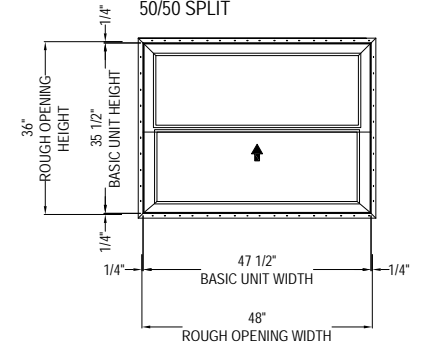
36X36 CALLOUT
50/50 SPLIT



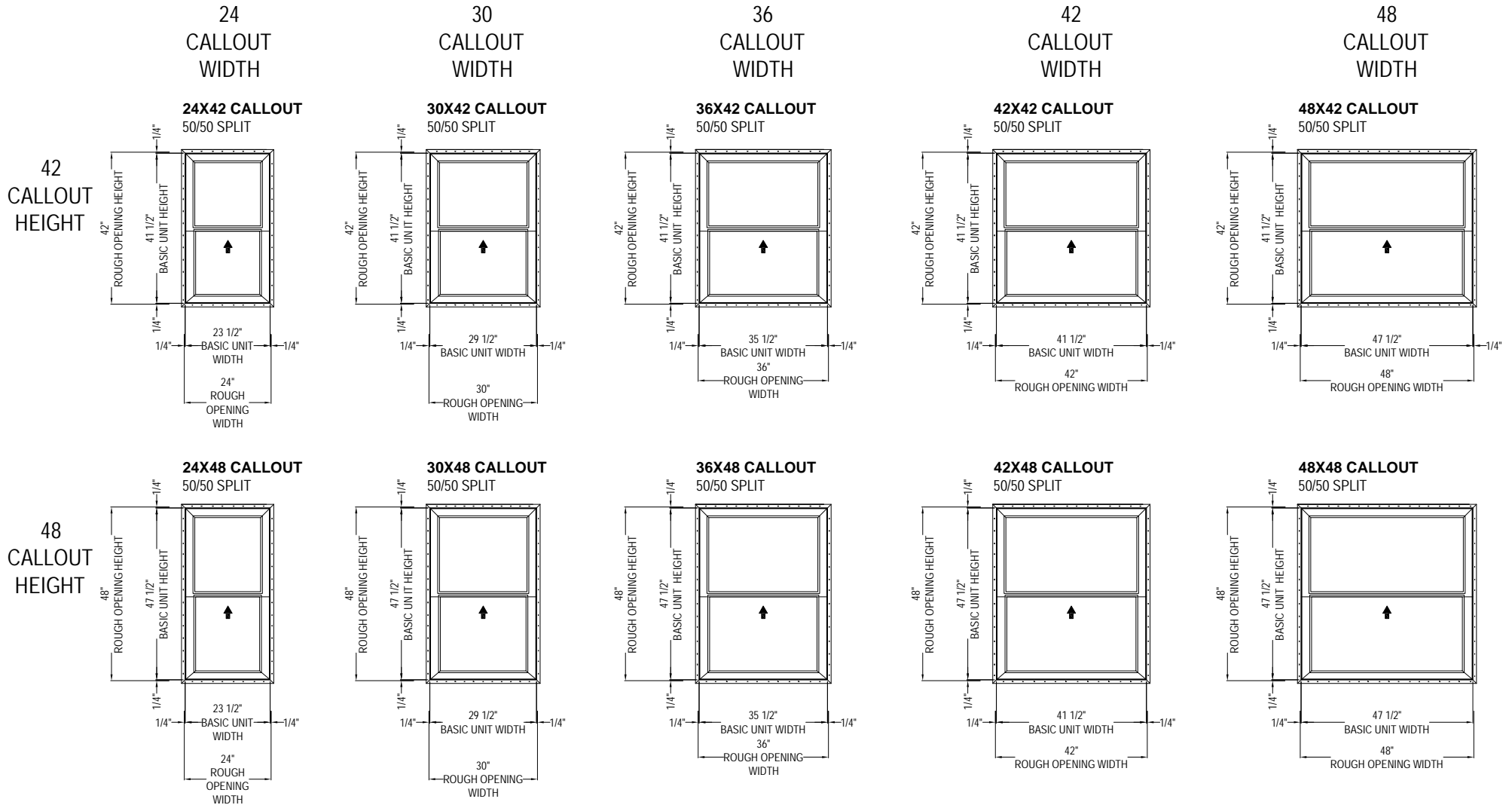
42X36 CALLOUT
50/50 SPLIT



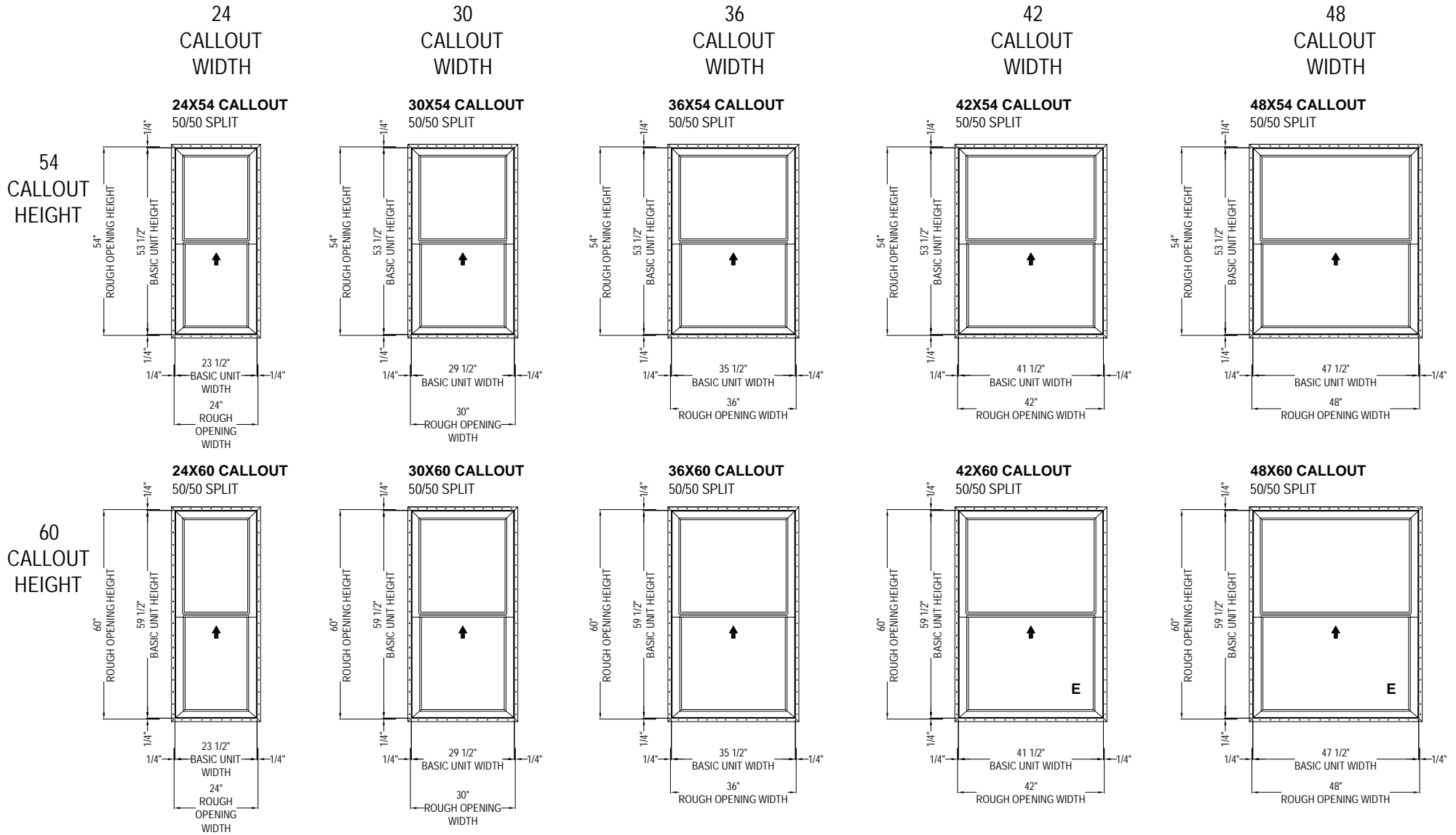
48X36 CALLOUT
50/50 SPLIT



Elevations Page 2 of 5	Scale: 1/2" = 1'-0"
Date: 02/2014	Drawn By: JJB

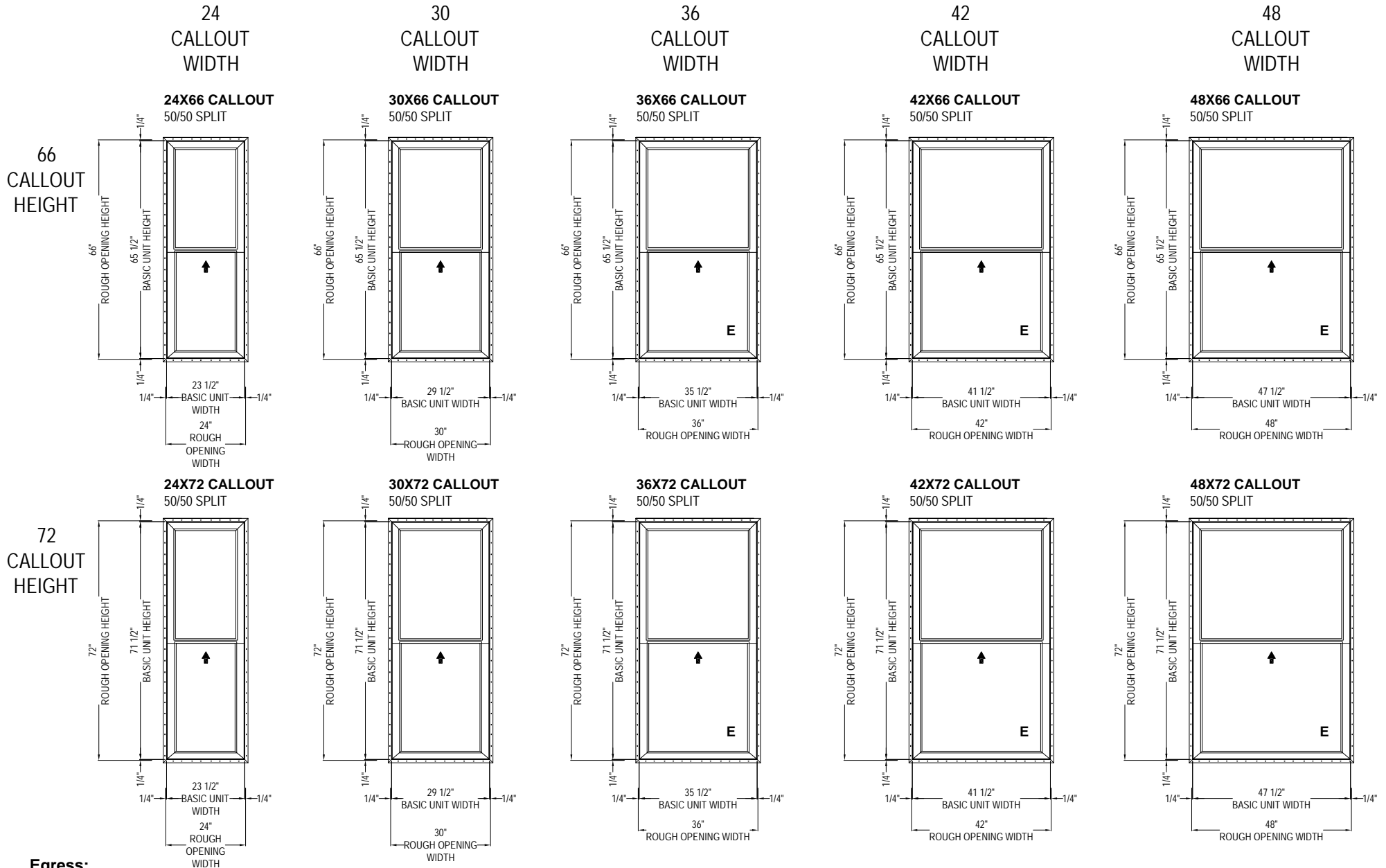


Elevations Page 3 of 5	Scale: 1/2" = 1'-0"
Date: 02/2014	Drawn By: JJB



Egress:
E Will Meet Egress

Elevations Page 4 of 5	Scale: 1/2" = 1'-0"
Date: 02/2014	Drawn By: JJB



Egress:
E Will Meet Egress

Elevations Page 5 of 5	Scale: 1/2" = 1'-0"
Date: 02/2014	Drawn By: JJB

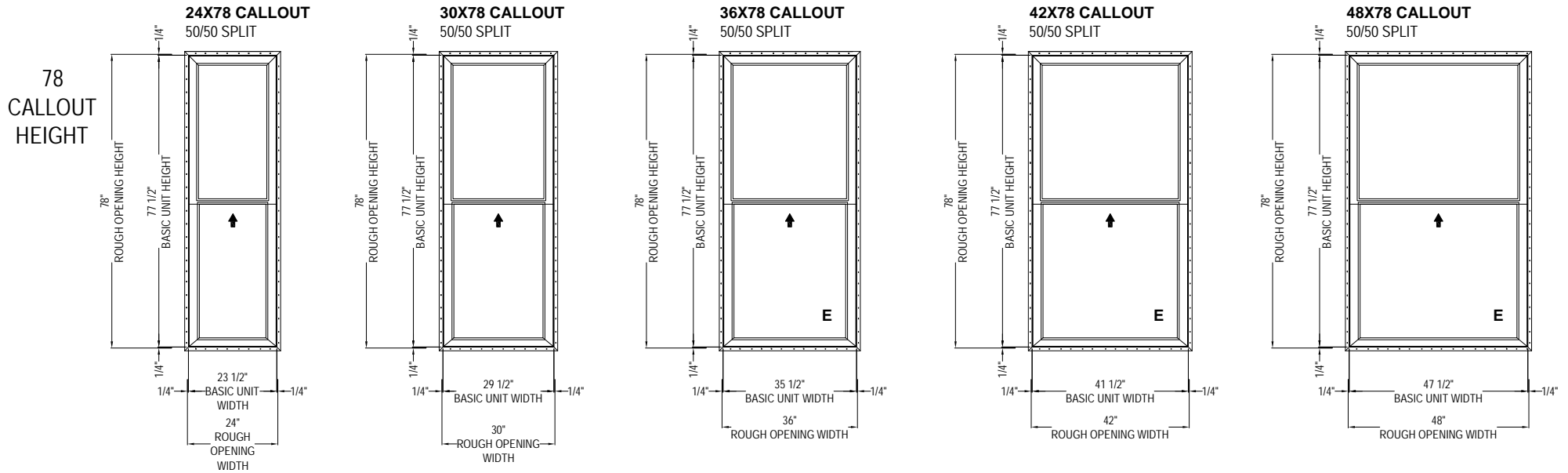
24
CALLOUT
WIDTH

30
CALLOUT
WIDTH

36
CALLOUT
WIDTH

42
CALLOUT
WIDTH

48
CALLOUT
WIDTH



Egress:
E Will Meet Egress